

Table of contents

Introduction	3
Performance declaration	4
Safety	6
Installation requirements	6
General	6
Flue	6
Room ventilation	7
Floor and walls	7
Product description	8
Installation	9
Preparation	9
Mounting the legs	10
Mounting the handle	10
Preparing the connection to the flue	10
Installing and connecting	12
Use	12
First use	12
Fuel	12
Lighting	13
Burning wood	13
Controlling combustion air	14
Extinguishing the fire	15
Removing ash	15
Fog and mist	15
Resolving problems	15
Maintenance	15
Flue	15
Cleaning and other regular maintenance	15
Spare parts 101CBS	16
Options 101CBS	16
Appendix 1: Technical data	17
Appendix 2: Dimensions	18
Appendix 3: Distance from combustible material	20
Appendix 4: Diagnosis diagram	22
Index	23

Introduction

Dear user,

By purchasing this heating appliance from DOVRE you have selected a quality product. This product is part of a new generation of energy-efficient and environmentally friendly heating appliances. These appliances make optimum use of convection heat as well as radiant heat.

- ▶ Your DOVRE appliance has been manufactured with state-of-the-art production equipment. In the unlikely event of a malfunction, you can always rely on DOVRE for support and service.
- ▶ The appliance should not be modified; please always use original parts.
- ▶ The appliance is intended for use in a living room. It must be hermetically connected to a properly working flue.
- ▶ We advise you have the appliance installed by an authorised and competent installer.
- ▶ DOVRE cannot be held liable for any problems or damage resulting from incorrect installation.
- ▶ Observe the following safety regulations when installing and using the appliance.

In this manual, you can read how the DOVRE heating appliance can be installed, used and maintained safely. Should you require additional information or technical data, or should you experience an installation problem, please first contact your supplier.

© 2023 DOVRE NV

Performance declaration

In accordance with construction products regulation 305/2011

No. 066-CPR-2023

1. Unique identification code of the product type:

101CBS

2. Type, batch or serial number or other form of identification for the construction product, as prescribed in article 11, subsection 4:

Unique serial number.

3. Intended use for the construction product, in accordance with the applicable harmonised technical specification, as specified by the producer:

Stove for solid fuel without production of warm water in accordance with EN 13240.

4. Name, registered trade name or registered trademark and contact address of the producer, as prescribed in article 11, subsection 5:

Dovre N.V., Nijverheidsstraat 18, B-2381 Weelde, Belgium

5. If applicable, name and contact address for the authorised individual whose mandate covers the tasks specified in article 12, subsection 2:

-

6. The system or systems for the assessment and verification of the performance durability of the construction product, specified in appendix V:

System 3

.

7. If the performance declaration concerns a construction product that falls under a harmonised norm:

The appointed RRF agency, registered under the number 1625, has performed a type test under system 3 and has issued the test report no. 40 23 6409.

8. If the performance declaration concerns a construction product for which a European technical assessment is issued:

-

9. Declared performance:

The harmonised norm	EN 13240:2001/A2;2004/AC :2007
Essential characteristics	Performance Wood
Fire safety	
Fire resistance	A1
Distance from combustible material	Minimum distance in mm Rear: 400 Side: 600
Risk of glowing particles falling out	Conform
Emission of combustion products	CO: 0.08% (13% O ₂)
Surface temperature	Conform
Electrical safety	-
Ease of cleaning	Conform
Maximum operating pressure	-
Flue gas temperature at nominal output	237 °C
Mechanical resistance (carrying weight of chimney)	Not determined
Nominal output	5 kW
Efficiency	82%

10. The performance of the product described in points 1 and 2 conform with the performance reported in point 9.

This performance declaration is supplied under the exclusive responsibility of the producer specified in point 4:

T. Gehem



Tom Gehem
CEO

30/10/2023 Weelde














Due to continuous product improvement, the supplied appliance specifications may vary from the description in this brochure without prior notice having been given.


DOVRE N.V.


Nijverheidsstraat 18 Tel : +32 (0) 14 65 91 91
B-2381 Weelde Fax : +32 (0) 14 65 90 09
Belgium Email : info@dovre.be

DOVRE

Safety

-  Please note: All safety regulations must be complied with strictly.
-  Please read carefully the instructions supplied with the appliance for installation, use and maintenance before using the appliance.
-  The appliance must be installed in accordance with the legislation and requirements applicable in your country.
-  All local regulations and the regulations relating to national and European standards must be observed when installing the appliance.
-  The appliance should preferably be installed by an authorised installer. Installers will be aware of the applicable regulations and requirements.
-  The appliance is designed for heating purposes. All surfaces, including the glass and connecting tube, can become very hot (over 100°C)! When operating, use a so-called 'cold hand' or an oven glove.
-  Ensure that the appliance is adequately guarded if young children, disabled people, the elderly or animals are present in the vicinity.
-  Safety distances from flammable materials must be strictly adhered to.
-  Do not place any curtains, clothes, laundry or other combustible materials on or near the appliance.
-  When in use, do not use flammable or explosive substances in the vicinity of the appliance.
-  Avoid chimney fires by having the chimney swept regularly. Never burn wood with the door open.
-  In the event of a chimney fire: close all the appliance's air inlets and alert the fire service.
-  If the glass in the appliance is broken or cracked, it must be replaced before the stove is used again.

 Do not exert force on the door, do not allow children to pull on the opened door, never stand or sit on the opened door and do not place heavy objects on the door.

 Ensure that there is adequate ventilation in the room in which the appliance is installed. If ventilation is insufficient, combustion will be incomplete, which may lead toxic gases to spread through the room. See the chapter 'Installation requirements' for more information on ventilation.


Installation requirements

General


- ▶ The appliance must be connected tightly to a well-functioning flue.
- ▶ For connection measurements: see 'Technical data' appendix.
- ▶ Ask the fire service and/or your insurance company about any specific requirements and regulations.

Flue

The flue is needed for:

- ▶ Removal of combustion gases via natural draught.
 -  As the warm air in the flue or chimney is lighter than the outside air, it rises.
- ▶ Air intake, needed for the combustion of fuel in the appliance.

A poorly functioning flue or chimney can cause smoke to escape into the room when the door is opened. Damage caused by smoke emissions into the room is not covered by the warranty.

 Do not connect multiple appliances (such as a boiler for central heating) to the same flue, unless local or national regulations allow this. In the event of two connections ensure that the difference in height between the connections is no less than 200 mm.

Ask your installer for advice regarding the flue. Refer to the European norm EN13384 for a correct calculation for the flue.

The flue must satisfy the following **requirements**:

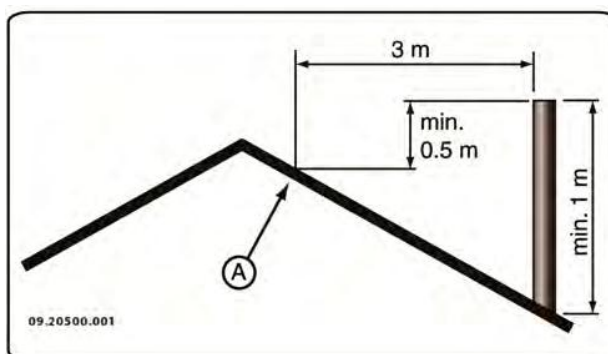
- ▶ The flue or chimney must be made of fire-resistant material, preferably ceramics or stainless steel.
- ▶ The flue or chimney must be airtight and well cleaned and guarantee sufficient draught.

i A draught/vacuum of 15 - 20 Pa during normal operation is ideal.

- ▶ Starting from the flue spigot, the flue must run as vertically as possible. Changes in direction and horizontal pieces disrupt the outward flow of combustion gases and may cause soot deposits.
- ▶ To prevent combustion gases from cooling down too much, which reduces the draught, ensure that the interior diameter is not too big.
- ▶ The flue or chimney should ideally have the same diameter as the connection collar.

i For nominal diameter: see 'Technical data' appendix. If the smoke channel is well insulated, the diameter may be slightly bigger (up to 2x the section of the connection collar).

- ▶ The section (area) of the smoke channel must be constant. Wider segments and (in particular) narrower segments disrupt the outward flow of combustion gases.
- ▶ In fitting a cover plate/exhaust cap to the flue: make sure that the cover does not restrict the flue outlet and that the cap does not impede the outward flow of combustion gases.
- ▶ The flue must end in a zone that is not affected by surrounding buildings, trees or other obstacles.
- ▶ The flue outside the house must be insulated.
- ▶ The flue should be at least 4 metres high.
- ▶ As a rule of thumb: 60 cm above the ridge of the roof.
- ▶ If the ridge of the roof is more than 3 metres from the flue: use the measurements given in the following figure. A = the highest point of the roof within a distance of 3 metres.



Room ventilation

For good combustion, the appliance needs air (oxygen). This air is supplied via adjustable air inlets from the area in which the appliance is installed.

- ⚠ If ventilation is insufficient, combustion will be incomplete, which may lead to toxic gases to spread through the room.

As a rule of thumb, the air supply should be 5.5 cm²/kW. Extra ventilation is needed when:

- ▶ The appliance is in a well-insulated area.
- ▶ There is mechanical ventilation, for example a central extraction system or an extraction hood in an open kitchen.

You can provide extra ventilation by having a ventilation louvre fitted on the outside wall.

Make sure that other air consuming appliances (such as tumble-driers, other heating appliances or a bathroom fan) have their own supply of outside air, or are switched off when you use the appliance.

Floor and walls

The floor on which the appliance is placed must have sufficient bearing capacity. The weight of the appliance is given in the appendix "Technical Data appendix".

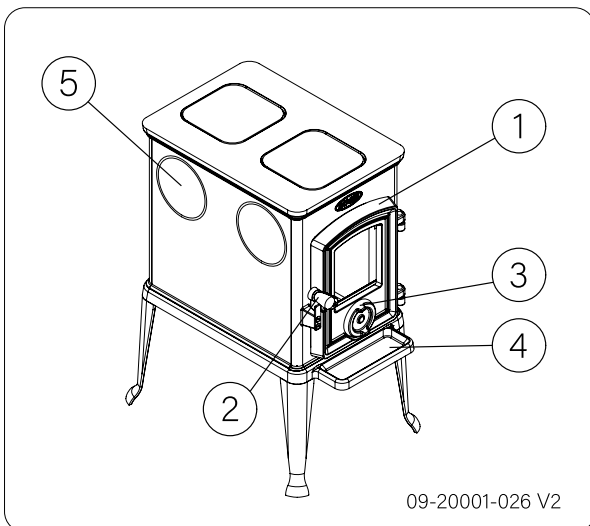
- ⚠ Protect flammable flooring from heat radiation by means of a fireproof protective plate. See the appendix "Distance from combustible material".
- ⚠ Remove combustible material such as linoleum, carpets/rugs and similar materials below the fireproof protective plate.

- ⚠ Keep sufficient distance between the appliance and combustible materials such as wooden walls and furniture.
- ⚠ The connecting tube also radiates heat. Ensure that there is sufficient distance or a shield between the connecting tube and combustible material.
The rule of thumb for a single-walled tube is a distance of 3x the diameter. If a lining shell is fitted around the tube, a distance of 1x the diameter is permissible.
- ⚠ Carpets and rugs must be at least 80 cm away from the fire.
- ⚠ Use a fireproof floor plate to protect a flammable floor from any ash that may fall in front of the stove. The floor plate must comply with national standards.
- ⚠ For the dimensions of the fireproof protective plate: see the appendix "Distance from combustible material".
- ⚠ For further requirements with respect to fire safety, see the appendix "Distance from combustible material".

Appliance features

- ▶ The appliance can be connected to the chimney at the side, at the rear or at the upper side. A connection collar that can be ordered separately is necessary for connecting on the upper side.
- ▶ An attachment with the designation 200, which functions as a heat exchanger, is available for the appliance. See "Appendix 2: Dimensions of attachment. The appliance can be connected at the side or on the upper side using this attachment.

Product description



1. Door
2. Latch
3. Air control scraper
4. Ashtray
5. Flue gas connection

Installation

Preparation

- ▶ Please check the appliance for damage caused during transport or any damage or defects immediately after delivery.

⚠ If you detect transport damage or any other damage or defects, do not use the appliance but notify the supplier.

- ▶ Remove the detachable parts (vermiculite interior plates, baffle plate) from the appliance before you install it.

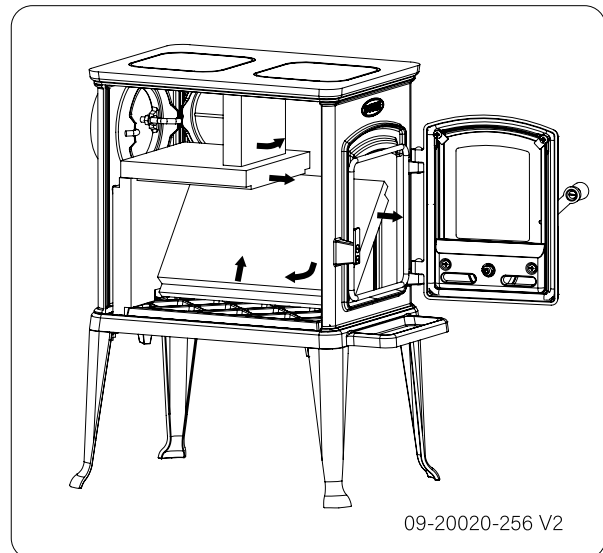
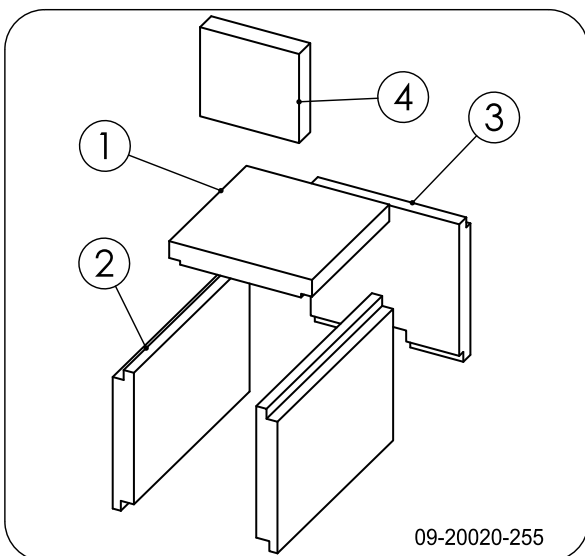
i By removing removable parts, it is easier to move the appliance and to avoid damage.

⚠ Note the location of the removable parts, so that you can re-position the parts in the correct place later on.

Removing inner plates

i Vermiculite inner plates are light and tend to be ochrous in colour on delivery. They insulate the combustion chamber to boost combustion. Cast iron inner plates protect the combustion chamber and dissipate heat to the surroundings.

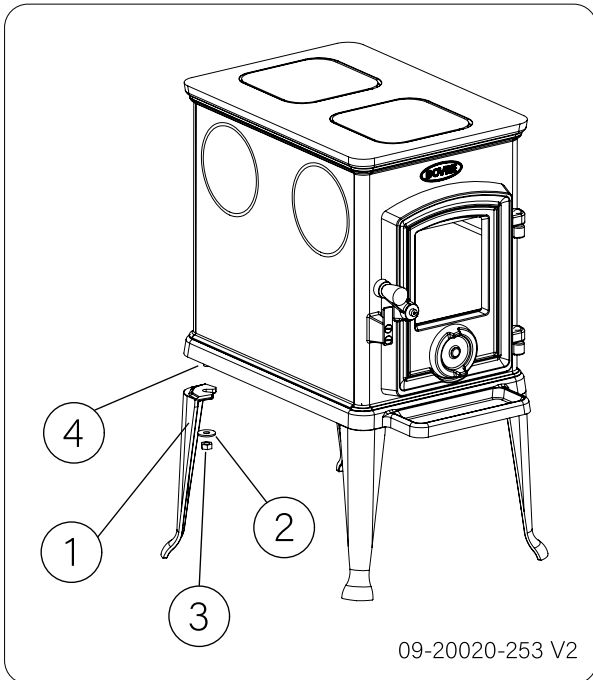
Follow the instructions below to remove the inner plates; see following figures.




1. Pull forward the inner plate (4) at the bottom and remove it via the door opening.
2. Slide the inner plate at the top of the appliance forwards (1).
3. Push the plate upwards so that you can tip it diagonally.
4. Lower the plate to the bottom in the space.
5. Remove the plate from the appliance using the door.
6. Tilt the inner plate (2) from both sides and remove the plate from the appliance using the door.
7. Remove the rear plate (3) from the appliance using the door.

Mounting the legs

Fit the legs to the appliance; see the following figure.



1. Tip the stove from the side.
2. Fit the four legs (1) on the studs (4) using the washers (2) and the M8 nuts (3) that are found on the bottom plate.
3. Set the appliance upright on the mounted legs.

 Support the appliance when placing it upright so that not all the weight is not on the legs.

Mounting the handle

Use the supplied M6x20 screw to attach the handle to the mounting hole.


Preparing the connection to the flue

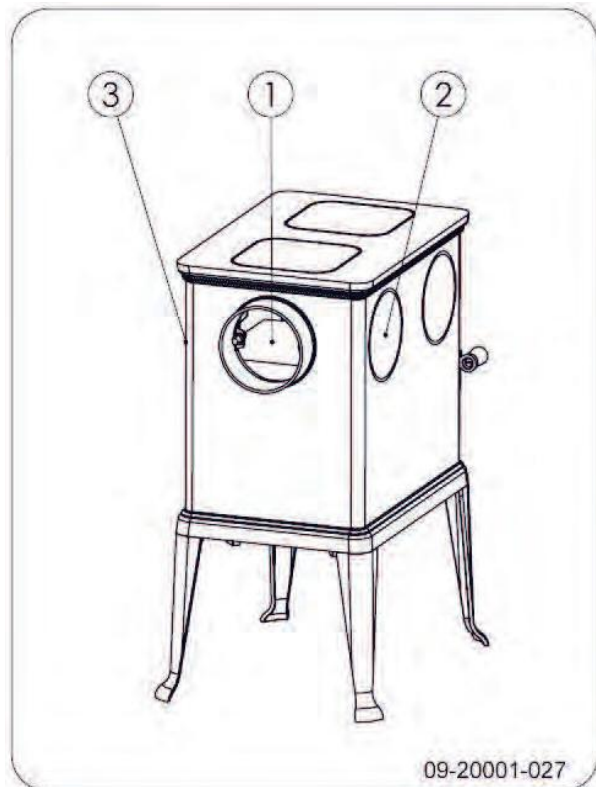
When connecting the appliance to the chimney you have the choice of connecting via either the side, the rear or the upper side. See the paragraphs "Connecting on the side or to the rear" and "Connecting to the upper side". It is also possible to make a connection via the attachment 5T that can be ordered separately; see the paragraph "Connecting via the attachment".

- ▶ A special connection collar is required to connect to the upper side of the appliance.
- ▶ The appliance is not supplied with a flue gas opening.
- ▶ Sealant and materials supplied.


Connecting to the side or the rear

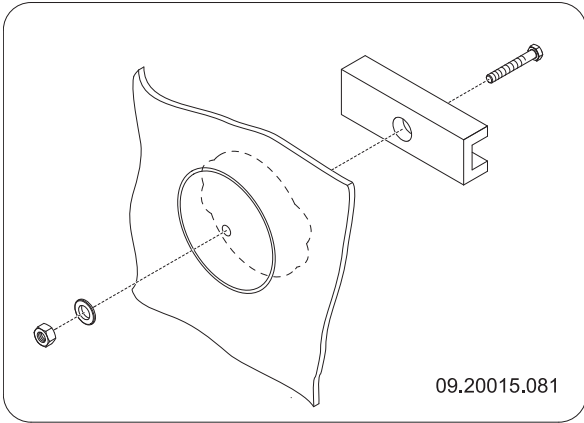
First of all, choose whether to connect the appliance to the flue from the side or the upper side or the rear.

 The appliance can only be connected in position 1, 2, or 3; see following figure.



Make the flue gas opening in the appliance by removing the connection cover. Use the equipment: the tension piece, the washer, the nut and bolt; see following figure.

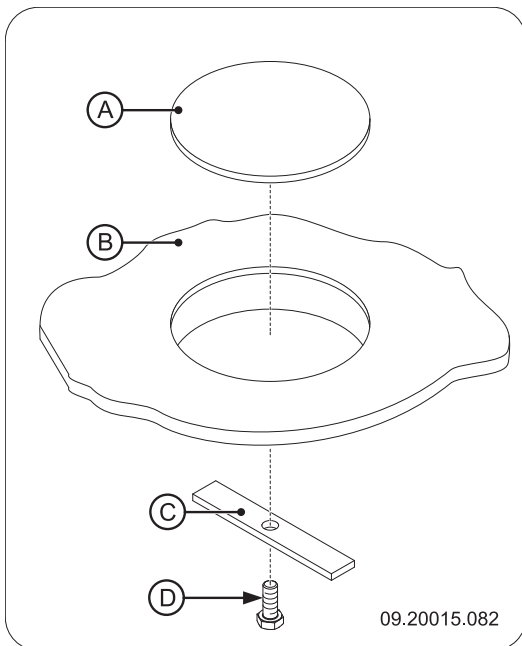
 Only the rear covers of the side walls can be used as a flue gas opening.



09.20015.081

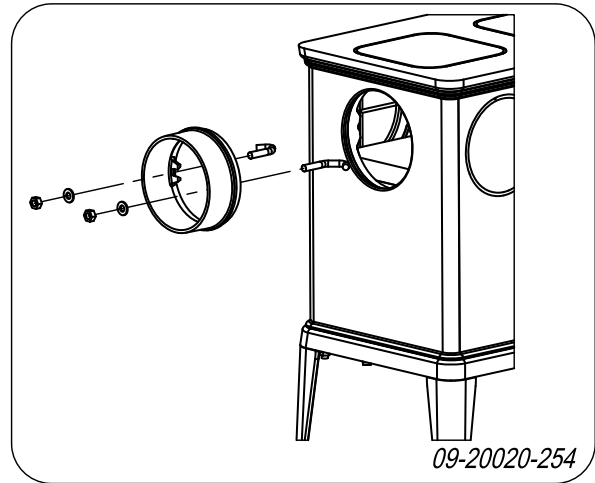
1. In the centre of the connection cover, drill a hole with a diameter of 10 mm.
2. Place the tension piece and the bolt on the inner side of the connection cover.
3. Slide the washer over the bolt and tighten the nut onto the bolt.
4. Tighten the nut by hand. Use a small amount of grease to make it easier to turn the nut.
5. Using a ring spanner, tighten the nut so that the connection cover breaks out.
6. Once made a flue gas opening can be closed off again with the shut-off cover (A). This cover is **not** supplied with the appliance. Use the mounting plate (C) and M6x25 bolt (D) to fit the cover to the appliance (B); see the following figure.

i The cover (A) can be ordered as an option using number 01.91659.020.

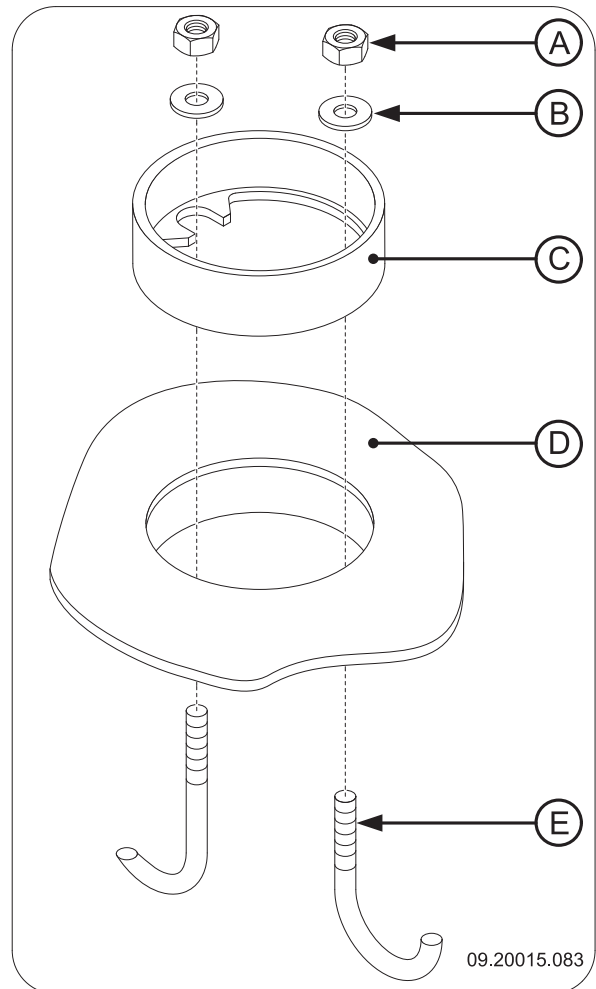


09.20015.082

7. Fit the connection collar (C) to the flue gas opening (D) using the two brackets supplied (E) and the attachment materials (A) and (B); see the figures below.



09-20020-254



09.20015.083

8. Use the supplied stove sealant to seal the connection collar and the cover to the appliance.

Connecting to the top

You need a special connection collar to connect on the upper side. This is **not** supplied with the appliance.



The special cover (A) can be ordered as an option using number 03.15318.020.

1. Remove one of the rectangular covers from the upper side of the appliance.
2. Install the special connection collar on the opening created.

Connecting via the attachment

The attachment 200 increases the surface of the stove that exchanges heat, thereby increasing efficiency. When using the attachment that is sold separately, you are able to make a side connection and an upper connection via the attachment.

1. Remove the rectangular cover from the upper side of the appliance.
2. Install the attachment on the openings created.

Installing and connecting

1. Position the appliance in the correct place, and make sure it is level.
2. Connect the appliance to the flue hermetically.
3. Re-position all removed parts to the correct places in the appliance.



Never use the appliance without the vermiculite inner plates.

The appliance is now ready for use.

Use

First use

When you use the appliance for the first time, make an intense fire and keep it going for a good few hours. This will cure the heat-resistant paint finish. This may result in some smoke and odours. You could open windows and doors for a while in the area in which the appliance is located.

Fuel

This appliance is only suitable for burning natural wood, namely sawn and chopped wood that is sufficiently dry.

Do not use other fuels, as they can cause serious damage to the appliance.

The following fuels may not be used as they pollute the environment, and because they heavily pollute the appliance and flue, which may lead to a chimney fire:

- ▶ Treated wood, such as scrap wood, painted wood, impregnated wood, preserved wood, plywood and chipboard.
- ▶ Plastics, scrap paper and domestic waste.

Wood

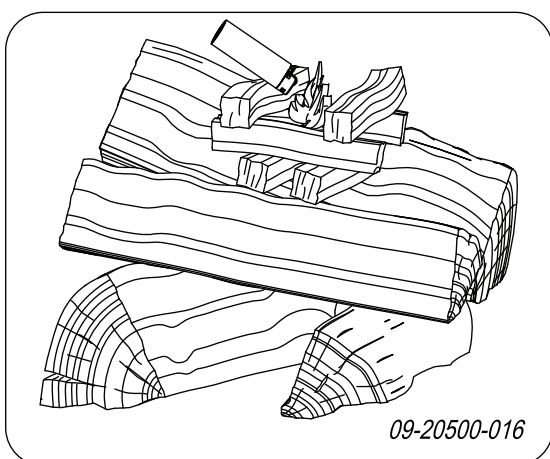
- ▶ Hardwood, such as oak, beech, birch and fruit tree wood is the ideal fuel for your stove. This type of wood burns slowly with calm flames. Softwood contains more resins, burns faster and sparks more.
- ▶ Use seasoned wood that contains no more than 20% moisture. The wood should have been seasoned for at least 2 years. Wood with a moisture content of 20% provides 4.2 kWh per kg wood. Wood with a moisture content of 15% provides 4.4 kWh per kg wood. Freshly felled wood has a moisture content of 60% and only provides 1.6 kWh per kg wood.
- ▶ Saw the wood to size and split it while it is still fresh. Fresh wood is easier to split, and split wood dries more easily. Store the wood under a roof where the wind has free access.
- ▶ Do not use damp wood. Damp logs do not produce heat as all the energy is used in the evaporation of moisture. This will result in a lot of

smoke and soot deposits on the appliance door and in the flue. The water vapour will condense in the appliance and can leak away through chinks in the stove, causing black stains on the floor. It may also condense in the chimney and form creosote. Creosote is a highly flammable compound and may cause a chimney fire.

Lighting

You can check whether the flue has sufficient draught by lighting a ball of paper above the baffle plate. A cold flue often has insufficient draught and consequently, some smoke may escape into the room instead of up the chimney. You can avoid this problem by lighting the fire as described below.

1. Stack two layers of medium-sized logs crosswise.
2. Stack two to three layers of kindling crosswise on top of the logs.
3. Place a firelighter between the bottom layer of kindling and light the firelighter according to the instructions on the packaging.



4. Close the appliance door and completely open the air slider in the door.
5. Allow the fire develop into a good blaze until there is glowing bed of charcoal. You can then add fuel and adjust the appliance; see the chapter 'Stoking with wood'.

Maximum amount of wood

To stoke continuously at the rated power, wood must be added every 45 minutes. If you use a smaller amount of wood each time, you can add wood more often. Each stove is designed to work with a specific maximum amount of wood. If you use a larger

quantity of wood, the heat output increases. This can cause the hearth to be overloaded and parts can be damaged.

Allowable maximum amount of fuel when using wood with a moisture content of 15%:

- ▶ 101CBS/V2 5 kW can be filled with a maximum of 1.2 kg wood every 45 minutes.

⚠ Fill the combustion chamber to at most 1/3 capacity.

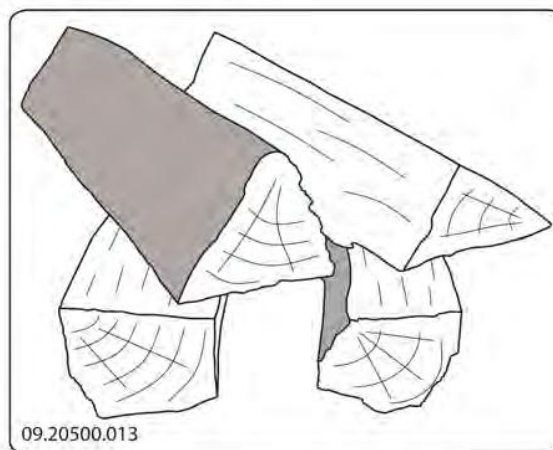
⚠ Avoid excessive smoke development e.g. just after filling. Sudden ignition of these gases can cause intense pressure waves/-explosions. Set the air control to the maximum position or leave the stove door open slightly for a while.

Burning wood

After you have followed the instructions for lighting:

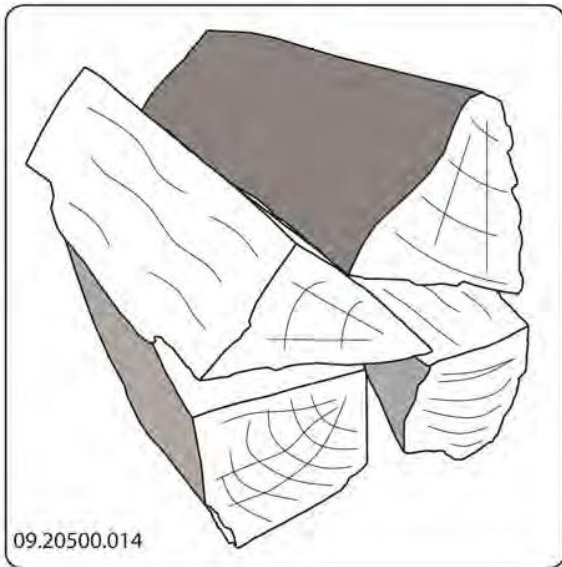
1. Slowly open the door of the appliance.
2. Spread the charcoal evenly across the bottom of the stove base.
3. Stack a few logs on the charcoal.

Open stacking



If the logs are stacked openly, the wood will burn quickly as the oxygen can reach each log easily. If you want to use the stove for a short while, make an open stack.

Compact stacking



If the logs are stacked tightly, the wood will burn more slowly as the oxygen can only reach some logs easily. If you want to burn wood for a longer period, make a compact stack.

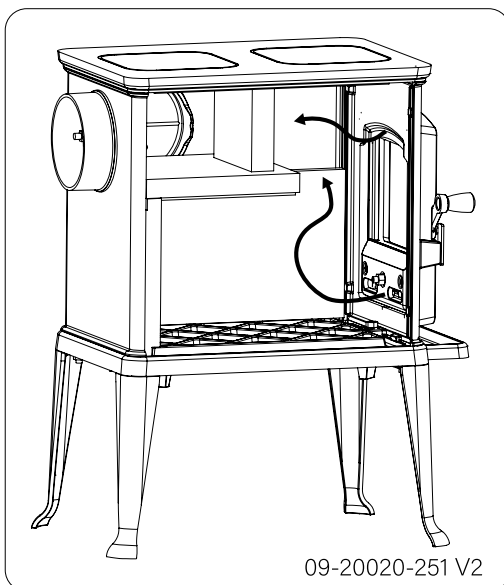
4. Close the door of the appliance.
5. Control the fire with the air slider in the door.



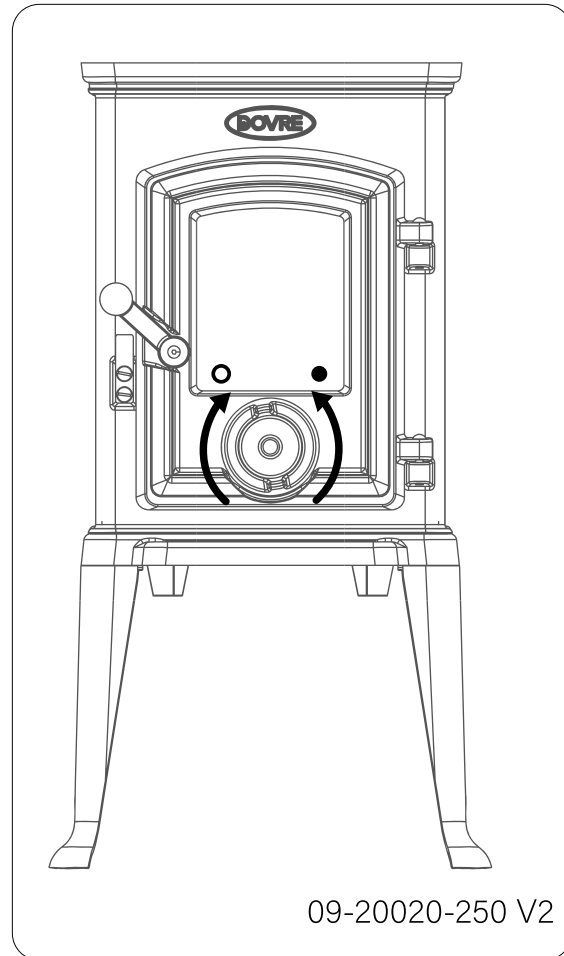
Fill the appliance half-way at most.

Controlling combustion air

The appliance has various features for air control; see next figure.



The appliance has one air slide that regulates both the primary air and the secondary air inlet; see next figure.



○ = Open

● = Closed

Advice



Never burn wood with an open door.



Regularly burn wood with intense roaring fires.

If you burn at a low setting frequently, tar and creosote may be deposited in the flue. Tar and creosote are highly combustible substances. Thicker layers of these substances may catch fire if the temperature in the flue increases suddenly. By allowing the fire to burn very intensely regularly, layers of tar and creosote will disappear.

Low-intensity fires can also cause tar deposits on the stove window and door.

When the outside temperature is mild, it is

better to burn wood intensely for a few hours instead of having a low-intensity fire for a long period of time.

- ▶ Control the air supply using the air vent in the door.
- ▶ Always open the door carefully.
- ▶ Close the door immediately after adding fuel.
- ▶ Topping up with a few logs regularly is better than adding many logs in one go.

Extinguishing the fire

Do not add fuel and just let the fire go out. If a fire is damped down by reducing the air supply, harmful substances will be released. For this reason, the fire should be allowed to go out naturally. Keep an eye on the fire until it has gone out. All air inlets can be closed once the fire has died completely.

Removing ash

After wood has been burnt, a relatively small amount of ash remains. This ash bed is a good insulating layer for the stove base plate and improves combustion. It is a good idea to leave a thin layer of ash on the stove base plate.

You can remove the excess ash with the aid of a small shovel.

Fog and mist

Fog and mist hinder the flow of flue gases through the flue. Smoke can blow back and cause a stench. If it is not strictly necessary, it is better not to use the stove in foggy and misty weather.

Resolving problems

Refer to the appendix 'Diagnostic diagram' to resolve any problems in using the appliance.

You may hear a ticking sound while the device is heating up and cooling down. This is completely normal, and caused by the expansion or contraction of the material.

Maintenance


Follow the maintenance instructions in this chapter to keep the appliance in good condition.

Flue

In many countries, you are required by law to have your chimney checked and maintained.

- ▶ At the start of the heating season: have the chimney swept by a recognised chimney sweep.
- ▶ During the heating season and after the chimney has not been used for a long time: have the chimney checked for soot.
- ▶ At the end of the heating season: close off the chimney and plug with newspaper.

Cleaning and other regular maintenance

 Do not clean the appliance when it is still warm.

- ▶ Clean the exterior of the appliance with a dry lint-free cloth.

You can clean the appliance interior thoroughly at the end of the heating season:

- ▶ First remove any vermiculite inner plates. See the chapter "Installation" for instructions on removing and installing the inner plates.
- ▶ If necessary, clean the air supply ducts.
- ▶ If the stove has a detachable baffle plate, remove the baffle plate at the top of the appliance and clean it.

Checking fire-resistant inner plates

The fire-resistant inner plates are consumables that are subject to wear and tear. Vermiculite inner plates are fragile. Do not knock the inner plates with logs. Check the fire-resistant inner plates frequently and replace them when necessary.

- ▶ See the chapter 'Installation' for instructions on removing and installing the inner plates.

i The refractory vermiculite inner plates or chamotte inner plates may begin to show hairline cracks, but this does not negatively affect their functioning.

i Cast iron inner plates will last a long time if you regularly remove any ash that may accumulate behind them. If you do not remove accumulated ash from behind a cast iron plate, the plate can no longer dissipate heat to the environment and may deform or crack.

! Never use the appliance without the fire-resistant inner plates.

Lubrication

Although cast-iron is slightly self-lubricating, you will still need to lubricate moving parts frequently.

- ▶ Lubricate the moving parts (such as guide systems, hinge pins, latches and air slides) with heat-resistant grease that is available in the specialist trade.

Touching up finishing coat

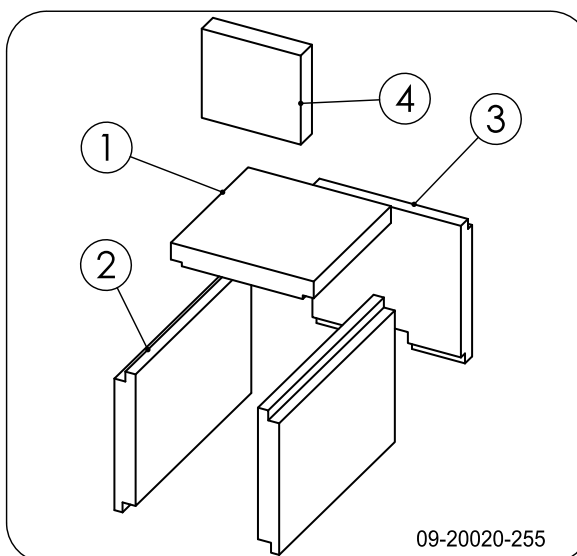
Small areas of damaged paint finish can be touched up with a spray can of special heat-resistant paint, available from your supplier.

Checking the seal

- ▶ Check whether the door sealing rope is still in good condition and works well. The sealing rope is subject to wear and will need to be replaced over time.
- ▶ Check the appliance for air leaks. Close any chinks with stove sealant.

! Allow the sealant to harden fully before lighting the appliance, as any moisture in the sealant will form bubbles, resulting in a new air leak.

Spare parts 101CBS



Pos.	Part number	Description	Quantity
1	03.77530.000	vermiculite top	1
2	03.77529.000	vermiculite side	2
3	03.77528.000	vermiculite back wall	1
4	03.77546.000	vermiculite baffle plate	1

Options 101CBS

Part number	Description
01.90201.000	attachment 200
03.15318.020	connection collar top
01.91659.020	cover set

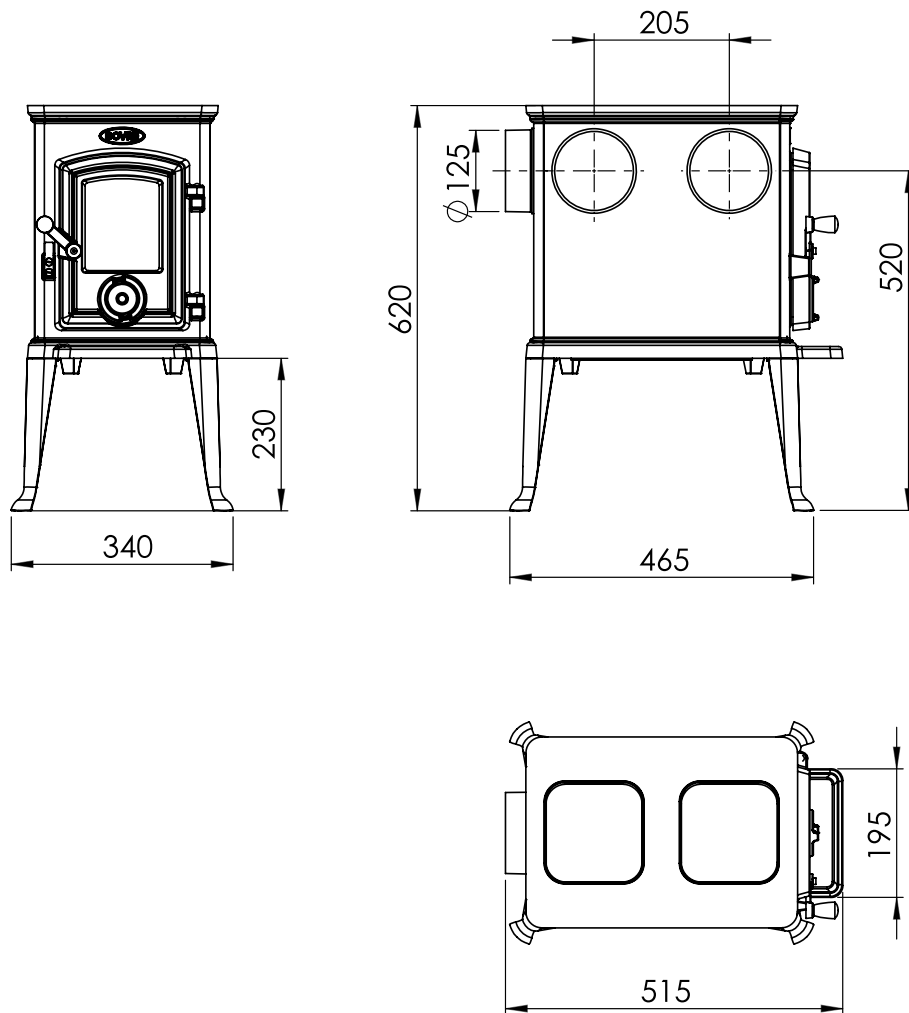
Appendix 1: Technical data

according to EU 305/2011 (construction products); EU2015/1185 (ecodesign) and EU2015/1186 (labelling)

Model	101CBS
Nominal output/direct heat output	5 kW
Flue connection (diameter)	125 mm
Weight	60 kg
Preferred fuel	wood, moisture <25%
Fuel property, max. length wood	35 cm
Mass flow of flue gasses	4.7 g/s
Temperature increase measured in the measuring section	237-KT K
Temperature measured at appliance exit	284 °C
Minimum draught	12 Pa
CO emissions (13%O ₂) at nominal heat output	0.08 % (951 mg/Nm ³)
NO _x emissions (13%O ₂) at nominal heat output	130 mg/Nm ³
CnHm emissions (13%O ₂) at nominal heat output	39 mg/Nm ³
Particulate emission (13%O ₂) at nominal heat output	20 mg/Nm ³
Useful efficiency at nominal heat output	82%
Seasonal energy efficiency	72%
Energy efficiency index	108.9
Energy efficiency class	A+
Type of heat output/room temperature control	single-phase heat output, no room temperature control

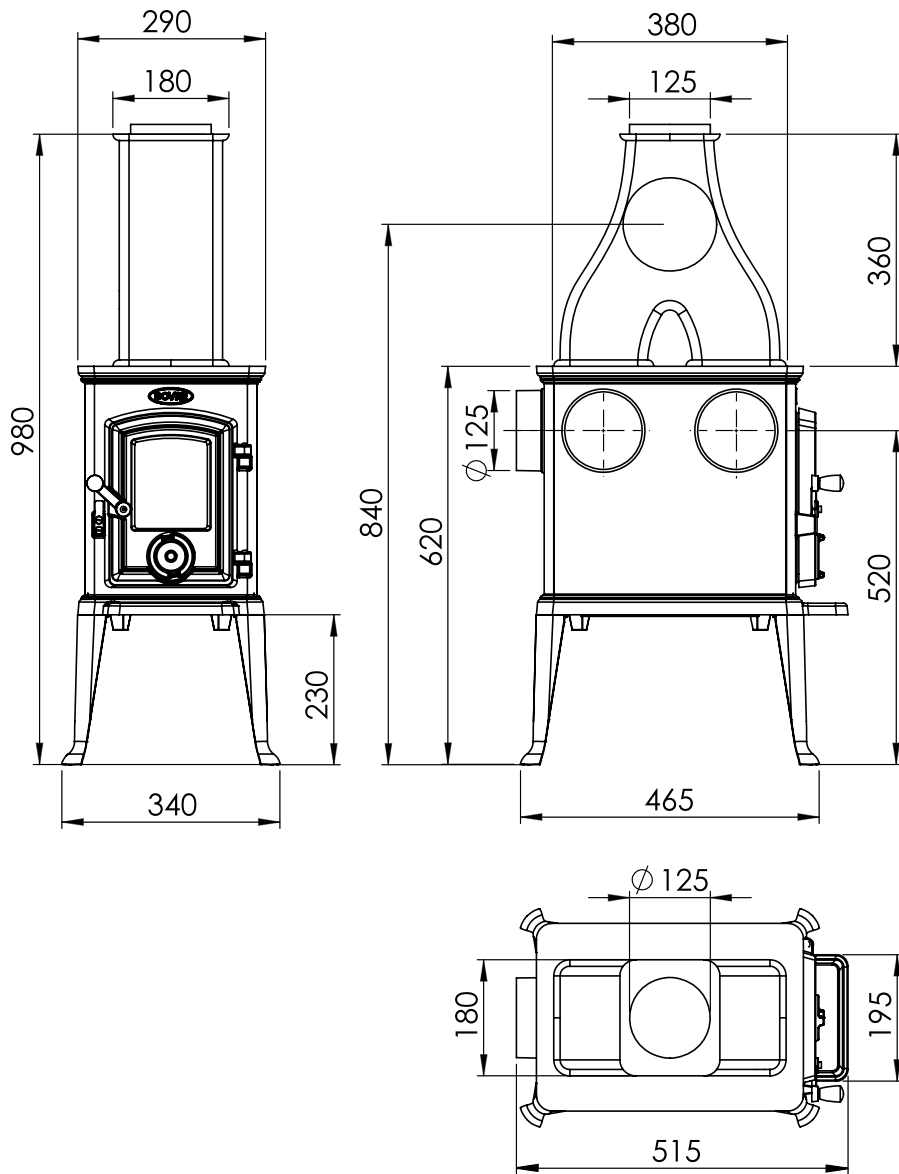
Appendix 2: Dimensions

101CBS



09-20001-028 V2

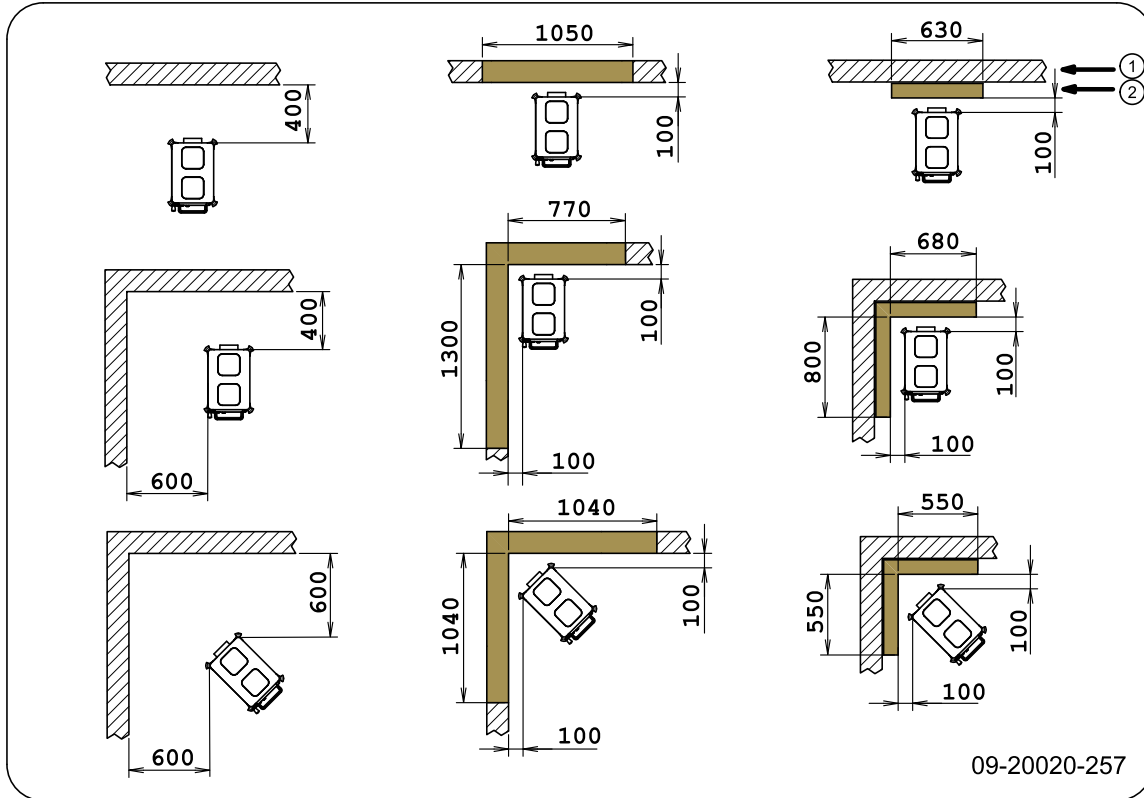
101CBS + 200 = 121CBS



09-20001-029 V2

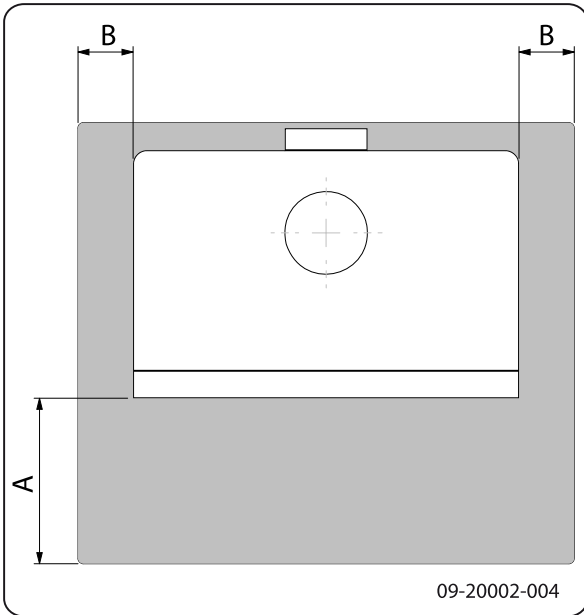
Appendix 3: Distance from combustible material

101CBS/121CBS - Minimum distance in millimetres



1	Combustible material
2	Incombustible material, thickness 120 mm

101CBS/121CBS - Dimensions of fireproof protective plate



Minimum dimensions of fireproof floor plate

	A (mm)	B (mm)
Din 18891	500	300
Germany	500	300
Finland	400	100
Norway	300	100

Appendix 4: Diagnosis diagram

					Problem	
●					Wood will not stay lit	
	●				Gives off insufficient heat	
		●			Smoke emissions into the room when adding wood	
			●		Fire in appliance is too intense, is hard to adjust	
				●	Deposit on the glass	
					possible cause	possible solution
●	●	●		●	Insufficient draught	A cold flue usually fails to create sufficient draught. Follow the instructions for starting a fire in the 'Use' section; open a window.
●	●	●		●	Wood too damp	Use wood with no more than 20% moisture.
●	●	●		●	Logs too large	Use small pieces of kindling. Use split logs no larger than 30 cm in circumference.
●	●	●	●	●	Wood stacked incorrectly	Stack the logs in a way that allows adequate air flow between the logs (open stacking, see 'Burning wood').
●	●	●		●	Flue does not work properly	Check whether the chimney meets the requirements: at least 4 metres high, correct diameter, well insulated, smooth inside, not too many bends, no obstructions in chimney (bird's nest, too much soot deposit), hermetically tight (no chinks).
●	●	●		●	Chimney stack incorrect	Sufficiently high above the roof, no obstacles in the vicinity
●	●	●	●	●	Air inlets set incorrectly	Open the air inlets completely.
●	●	●		●	Appliance connected to the chimney incorrectly	Connection should be hermetically tight.
●	●	●		●	Vacuum in area in which the appliance is installed	Switch off extraction systems.
●	●	●		●	Insufficient supply of fresh air	Provide an adequate air supply; if necessary, use outside air connection.
●	●	●		●	Bad weather? Inversion (reversed air flow in chimney because of a high outside temperature), extreme wind speeds	We recommend you don't use the appliance in the case of inversion. If required, install an extra hood on the flue to increase the draught.
		●			Draught in the living room	Avoid draught in the living room, do not place the appliance near a door or heating air ducts.
				●	Flames touch the glass	Make sure the wood is not positioned too close to the glass. Slide the primary air inlet cover closer to the 'Closed' position.
			●		Appliance is leaking air	Check the door seals and appliance joints.

Index

A		Creosote14
Adverse weather conditions, do not burn wood	15	
Aerating the fire	15	
Air combustion control	14	
Air control	14	
Air leak	16	
Ash		
removing	15	
Ash removal	15	
Attachment		
heat exchanger	8	
Attachment 200	12	
B		
Bearing capacity of floor	7	
Burning	13	
adding fuel	13	
topping up fuel	15	
Burning wood		
insufficient heat	15	
C		
Cap on the flue	7	
Carpet	7	
Cast iron		
fire-resistant	9	
inner plates	9	
Chinks in appliance	16	
Cleaning		
appliance	15	
Cold hand		
mounting	10	
Combustible material		
distance from	20	
Connecting		
dimensions	18	
rear	10	
side	10	
Connecting to the flue		
top	12	
Connection cover		
removing	10	
Controlling air supply	15	
		D
		Damp wood12
		Diagnosis diagram22
		Dimensions18
		Door
		sealing rope16
		Draught17
		Drying wood12
		E
		Efficiency5, 17
		Extinguishing the fire15
		F
		Filling level of the appliance14
		Finishing coat, maintenance16
		Fire
		extinguishing15
		kindle13
		Fire-resistant inner plates12
		maintenance15
		Fire safety
		distance from combustible material20
		floor7
		furniture7
		walls7
		Floors
		bearing capacity7
		fire safety7
		Flue
		connection diameter17
		connection to12
		height7
		maintenance15
		requirements7
		Flue cap7
		Flue gas
		temperature5, 17
		Flue gas opening
		closing11
		Flue gasses
		mass flow17
		Fog, do not burn wood15

Fuel	
adding	14
necessary amount	15
suitable	12
topping up	15
unsuitable	12
wood	12

H

Handle	
mounting	10
Handle holder	
mounting	10
Heat exchanger	
attachment	8
Heat, insufficient	15

I

Inner plate	
vermiculite	9
Inner plates	
cast iron	9
fire-resistant	12
Installing	
dimensions	18

L

Legs	
mounting	10
Lighting	13
Lighting fire	13
Lubricant	16
Lubricate	16

M

Maintenance	
Clean appliance	15
Fire-resistant inner plates	15
flue	15
lubrication	16
sealing	16
Mist, do not burn wood	15

N

Nominal output	15, 17
----------------------	--------

P

Paint	12
-------------	----

Particulate emission	17
Preventing chimney fire	14

R

Removing ash	15
--------------------	----

S

Sealing rope for door	16
Smoke	
during first use	12
Smoke emissions into the room	6
Softwood	12
Solving problems	15
Stacking logs	13
Storing wood	12
Suitable fuel	12
Sweeping flue	15

T

Tar	14
Temperature	17
Topping up with fuel	15

U

Unsuitable fuel	12
-----------------------	----

V

Ventilation	7
rule of thumb	7
Ventilation louvre	7
Vermiculite	
fire-resistant	9
Vermiculites inner plates	
warning	12

W

Walls	
fire safety	7
Warning	
chimney fire	12, 14
chimney fires	6
flammable materials	6
glass broken or cracked	6
hot surface	6
placing a load on door	6
requirements	6
terms and conditions for insurance	6



ventilation	6-7
vermiculite inner plates	12
Weight	17
Wood	12
damp	12
drying	12
right sort	12
storing	12