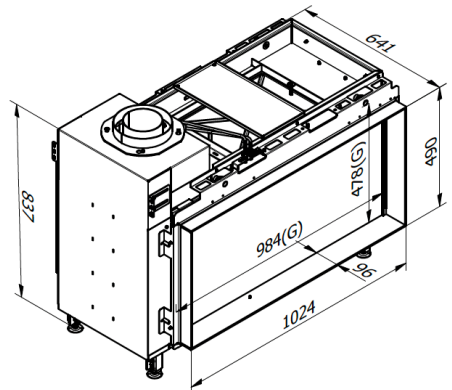


Without frame



With frame