

INSTALLATIEVOORSCHRIFTEN EN GEBRUIKSAANWIJZING  
INSTALLATION INSTRUCTIONS AND OPERATING MANUAL  
INSTALLATION ET MODE D'EMPLOI  
EINBAUANLEITUNG UND GEBRAUCHSANWEISUNG  
INSTRUCCIONES DE INSTALACIÓN Y USO  
ISTRUZIONI PER L'INSTALLAZIONE E L'USO  
MONTERINGS- OG BRUKSANVISNING

HOUTKACHEL  
WOOD STOVE  
POELE A BOIS  
HOLZ-FEUERSTÄTTE  
ESTUFA DE LEÑA  
STUFA A LEGNA  
PEISOVN



**SAGA 301**



03.28352.000 - 01/2023

# Table of contents

---

<b>Introduction</b> .....	<b>3</b>
<b>Performance declaration</b> .....	<b>4</b>
<b>Safety</b> .....	<b>6</b>
<b>Product description</b> .....	<b>6</b>
Features of the appliance .....	6
Using the cold hand .....	7
<b>Installation requirements</b> .....	<b>8</b>
General .....	8
Flue .....	8
Room ventilation .....	9
Floor and walls .....	9
<b>Installation</b> .....	<b>10</b>
Preparation .....	10
Preparing the connection to the flue .....	10
Outside air connection .....	11
Installing and connecting .....	11
<b>Use</b> .....	<b>11</b>
First use .....	11
Fuel .....	12
Lighting .....	12
Burning wood .....	12
Controlling combustion air .....	13
Extinguishing the fire .....	14
Removing ash .....	14
Fog and mist .....	14
Resolving problems .....	14
<b>Maintenance</b> .....	<b>15</b>
Flue .....	15
Cleaning and other regular maintenance .....	15
<b>Placing and removing vermiculite stones in the appliance</b> .....	<b>16</b>
<b>Spare parts</b> .....	<b>19</b>
<b>Appendix 1: Technical data</b> .....	<b>20</b>
<b>Appendix 2: Dimensions</b> .....	<b>21</b>
<b>Appendix 3: Distance from combustible material</b> .....	<b>22</b>
<b>Appendix 4: Diagnosis diagram</b> .....	<b>24</b>
<b>Index</b> .....	<b>25</b>

# Introduction

Dear user,

By purchasing this heating appliance from DOVRE you have selected a quality product. This product is part of a new generation of energy-efficient and environmentally friendly heating appliances. These appliances make optimum use of convection heat as well as radiant heat.

- ▶ Your DOVRE appliance has been manufactured with state-of-the-art production equipment. In the unlikely event of a malfunction, you can always rely on DOVRE for support and service.
- ▶ The appliance should not be modified; please always use original parts.
- ▶ The appliance is intended for use in a living room. It must be hermetically connected to a properly working flue.
- ▶ We advise you have the appliance installed by an authorised and competent installer.
- ▶ DOVRE cannot be held liable for any problems or damage resulting from incorrect installation.
- ▶ Observe the following safety regulations when installing and using the appliance.

In this manual, you can read how the DOVRE heating appliance can be installed, used and maintained safely. Should you require additional information or technical data, or should you experience an installation problem, please first contact your supplier.

© 2022 DOVRE NV

# Performance declaration

In accordance with construction products regulation 305/2011 nr. 063-CPR-2022

**1. Unique identification code of the product type:**

SAGA 301

**2. Type, batch or serial number or other form of identification for the construction product, as prescribed in article 11, subsection 4:**

Unique serial number.

**3. Intended use for the construction product, in accordance with the applicable harmonised technical specification, as specified by the producer:**

Stove for solid fuel without production of warm water in accordance with EN 13240.

**4. Name, registered trade name or registered trademark and contact address of the producer, as prescribed in article 11, subsection 5:**

Dovre N.V. Nijverheidsstraat 18 2381 Weelde Belgium.

**5. If applicable, name and contact address for the authorised individual whose mandate covers the tasks specified in article 12, subsection 2:**

-

**6. The system or systems for the assessment and verification of the performance durability of the construction product, specified in appendix V:**

System 3.

**7. If the performance declaration refers to a construction product that is subject to a harmonised standard:**

The appointed agency GAS.BE, registered under number 2013, has performed a type test under system 3 and has issued test report no. 2022-0062.

**8. If the performance declaration concerns a construction product for which a European technical assessment is issued:**

-

**9. Declared performance:**

<b>The harmonised norm</b>	<b>EN 13240:2001/A2;2004/AC :2007</b>
<b>Essential characteristics</b>	<b>Performance Wood</b>
Fire safety	
Fire resistance	A1
Distance from combustible material	Minimum distance in mm Rear: 350 Side: 500
Risk of glowing particles falling out	Conform
Emission of combustion products	CO: 0,06% (13%O <sub>2</sub> )
Surface temperature	Conform
Electrical safety	-
Ease of cleaning	Conform
Maximum operating pressure	-
Flue gas temperature at nominal output	295 °C
Mechanical resistance (carrying weight of chimney)	Not determined
Nominal output	10 kW
Efficiency	79%

**10. The performance of the product described in points 1 and 2 conform with the performance reported in point 9.**

**This performance declaration is supplied under the exclusive responsibility of the producer specified in point 4:**

T. Gehem



22/07/2022 Weelde

Tom Gehem  
CEO

Due to continuous product improvement, the supplied appliance specifications may vary from the description in this brochure without prior notice having been given.

DOVRE N.V.














Nijverheidsstraat 18 Tel : +32 (0) 14 65 91 91



B-2381 Weelde Fax : +32 (0) 14 65 90 09

Belgium Email : info@dovre.be

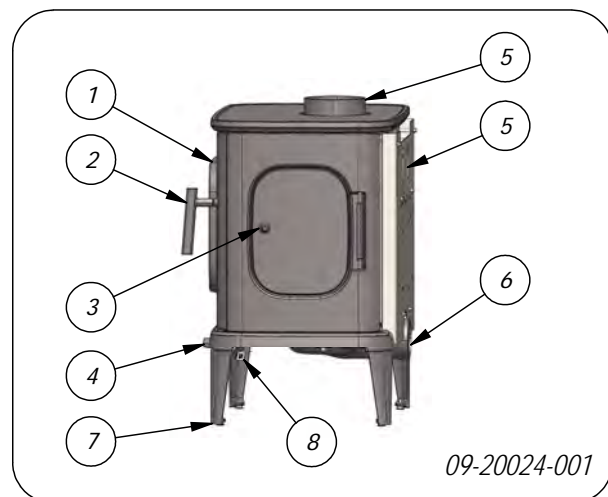


## Safety

-  Please note: All safety regulations must be complied with strictly.
-  Please read carefully the instructions supplied with the appliance for installation, use and maintenance before using the appliance.
-  The appliance must be installed in accordance with the legislation and requirements applicable in your country.
-  All local regulations and the regulations relating to national and European standards must be observed when installing the appliance.
-  The appliance should preferably be installed by an authorised installer. Installers will be aware of the applicable regulations and requirements.
-  The appliance is designed for heating purposes. All surfaces, including the glass and connecting tube, can become very hot (over 100°C)! When operating, use a so-called 'cold hand' or an oven glove.
-  Ensure that the appliance is adequately guarded if young children, disabled people, the elderly or animals are present in the vicinity.
-  Safety distances from flammable materials must be strictly adhered to.
-  Do not place any curtains, clothes, laundry or other combustible materials on or near the appliance.
-  When in use, do not use flammable or explosive substances in the vicinity of the appliance.
-  Avoid chimney fires by having the chimney swept regularly. Never burn wood with the door open.
-  In the event of a chimney fire: close all the appliance's air inlets and alert the fire service.
-  If the glass in the appliance is broken or cracked, it must be replaced before the stove is used again.

-  Do not exert force on the door, do not allow children to pull on the opened door, never stand or sit on the opened door and do not place heavy objects on the door.
-  Ensure that there is adequate ventilation in the room in which the appliance is installed. If ventilation is insufficient, combustion will be incomplete, which may lead toxic gases to spread through the room. See the chapter 'Installation requirements' for more information on ventilation.

## Product description



1. Front door
2. Latch
3. Side door
4. Air control scraper
5. Smoke gas connection (rear or top)
6. Outside air connection
7. Adjustable foot
8. Door latch


## Features of the appliance

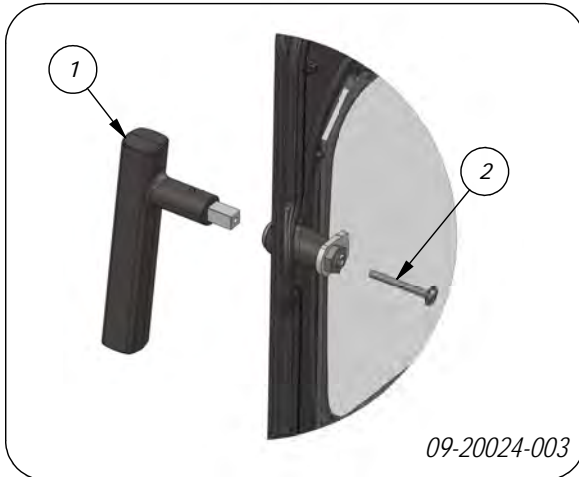
- ▶ The appliance can be connected to the chimney via the rear or top.
- ▶ The stove base is grooved. The ashes that accumulate between the grooves provide an insulating and protective layer for the stove base.

## Using the cold hand

You can opt for attaching the handle to the stove permanently or to use it as a removable handle.


### A. Permanent fixture (as supplied on the front door):

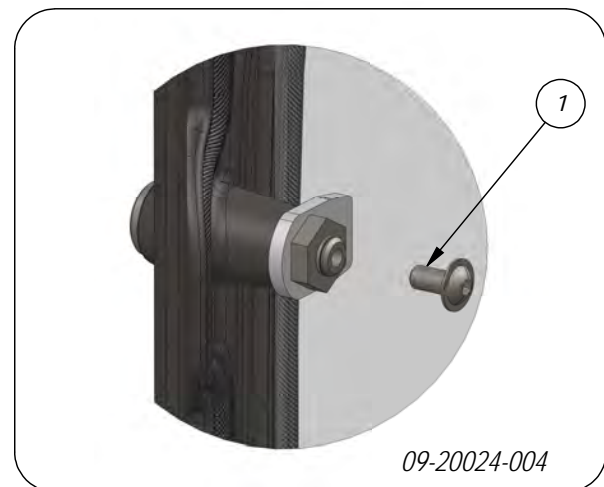
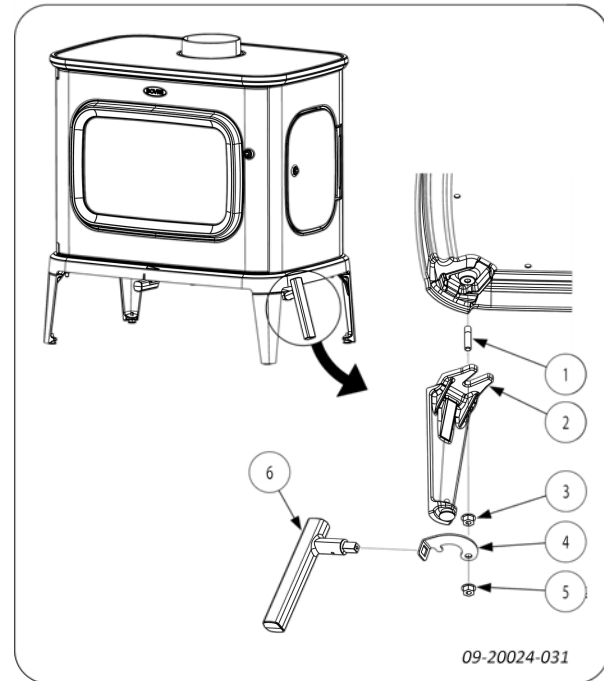
-  **Caution, do not get burned! The handle gets hot. Use the glove supplied when you open and close the stove. We recommend the use of a cold hand (see below).**



### B. Use the detachable handle (as supplied on the side door).

You can unscrew the handle (see screw 2 in figure 09-20024-003). Next, you can detach the handle after opening or closing the door.

-  **Do not forget to close the gap in the door that is created when you remove the handle. For this, use the supplied anti-leak screw; (1) in figure 09-20024-004. If you do not close the gap, hazardous smoke escapes from the appliance, and the appliance will not function properly.**



The stove comes with a handle holder (4). You can attach it under one of the front legs with the help of the supplied hexagonal nut (5).

# Installation requirements

## General

- ▶ The appliance must be connected tightly to a well-functioning flue.
- ▶ For connection measurements: see 'Technical data' appendix.
- ▶ Ask the fire service and/or your insurance company about any specific requirements and regulations.

## Flue

The flue is needed for:

- ▶ Removal of combustion gases via natural draught.
  - i** As the warm air in the flue or chimney is lighter than the outside air, it rises.
- ▶ Air intake, needed for the combustion of fuel in the appliance.

A poorly functioning flue or chimney can cause smoke to escape into the room when the door is opened. Damage caused by smoke emissions into the room is not covered by the warranty.

- !** Do not connect multiple appliances (such as a boiler for central heating) to the same flue, unless local or national regulations allow this. In the event of two connections ensure that the difference in height between the connections is no less than 200 mm.

Ask your installer for advice regarding the flue. Refer to the European norm EN13384 for a correct calculation for the flue.

The flue must satisfy the following **requirements**:

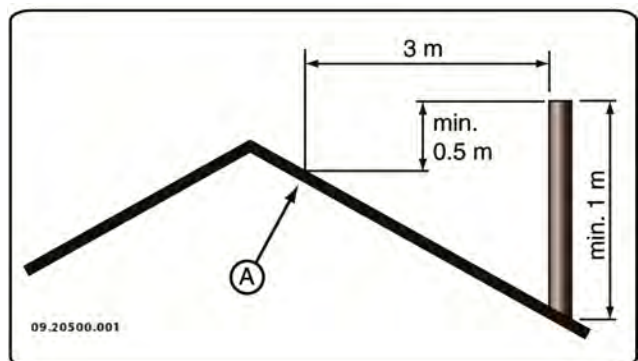
- ▶ The flue or chimney must be made of fire-resistant material, preferably ceramics or stainless steel.
- ▶ The flue or chimney must be airtight and well cleaned and guarantee sufficient draught.

- i** A draught/vacuum of 15 - 20 Pa during normal operation is ideal.

- ▶ Starting from the flue spigot, the flue must run as vertically as possible. Changes in direction and horizontal pieces disrupt the outward flow of combustion gases and may cause soot deposits.
- ▶ To prevent combustion gases from cooling down too much, which reduces the draught, ensure that the interior diameter is not too big.
- ▶ The flue or chimney should ideally have the same diameter as the connection collar.

- i** For nominal diameter: see 'Technical data' appendix. If the smoke channel is well insulated, the diameter may be slightly bigger (up to 2x the section of the connection collar).


- ▶ The section (area) of the smoke channel must be constant. Wider segments and (in particular) narrower segments disrupt the outward flow of combustion gases.
- ▶ In fitting a cover plate/exhaust cap to the flue: make sure that the cover does not restrict the flue outlet and that the cap does not impede the outward flow of combustion gases.
- ▶ The flue must end in a zone that is not affected by surrounding buildings, trees or other obstacles.
- ▶ The flue outside the house must be insulated.
- ▶ The flue should be at least 4 metres high.
- ▶ As a rule of thumb: 60 cm above the ridge of the roof.
- ▶ If the ridge of the roof is more than 3 metres from the flue: use the measurements given in the following figure. A = the highest point of the roof within a distance of 3 metres.





## Room ventilation

For good combustion, the appliance needs air (oxygen). This air is supplied via adjustable air inlets from the area in which the appliance is installed.

-  If ventilation is insufficient, combustion will be incomplete, which may lead toxic gases to spread through the room.

As a rule of thumb, the air supply should be 5.5 cm<sup>2</sup>/kW. Extra ventilation is needed when:

- ▶ The appliance is in a well-insulated area.
- ▶ There is mechanical ventilation, for example a central extraction system or an extraction hood in an open kitchen.





You can provide extra ventilation by having a ventilation louvre fitted on the outside wall.

Make sure that other air consuming appliances (such as tumble-driers, other heating appliances or a bathroom fan) have their own supply of outside air, or are switched off when you use the appliance.





This appliance also has a connection to outside air. We recommend that you use it where this is possible.

## Floor and walls

The floor on which the appliance is placed must have sufficient bearing capacity. The weight of the appliance is given in the appendix "Technical Data appendix".

-  Protect flammable flooring from heat radiation by means of a fireproof protective plate. See the appendix "Distance from combustible material".
-  Remove combustible material such as linoleum, carpets/rugs and similar materials below the fireproof protective plate.
-  Keep sufficient distance between the appliance and combustible materials such as wooden walls and furniture.
-  The connecting tube also radiates heat. Ensure that there is sufficient distance or a shield between the connecting tube and combustible material.  
The rule of thumb for a single-walled tube is a

distance of 3x the diameter. If a lining shell is fitted around the tube, a distance of 1x the diameter is permissible.

-  Carpets and rugs must be at least 80 cm away from the fire.
-  Use a fireproof floor plate to protect a flammable floor from any ash that may fall in front of the stove. The floor plate must comply with national standards.
-  For the dimensions of the fireproof protective plate: see the appendix "Distance from combustible material".
-  For further requirements with respect to fire safety, see the appendix "Distance from combustible material".

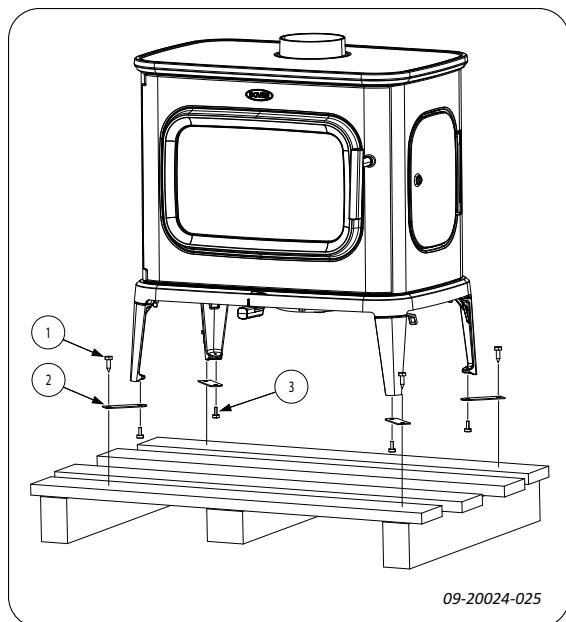
# Installation

## Preparation

- ▶ Please check the appliance for damage caused during transport or any damage or defects immediately after delivery.
- ⚠ If you detect transport damage or any other damage or defects, do not use the appliance and notify the supplier.
- ▶ Remove the removable parts (fire-resistant inner plates, fire compartment, fire basket, ash removal port and ash pan) from the appliance before you start installing the appliance.

**i** By removing removable parts, it is easier to move the appliance and to avoid damage.

⚠ Note the location of the removable parts, so that you can re-position the parts in the correct place later on.



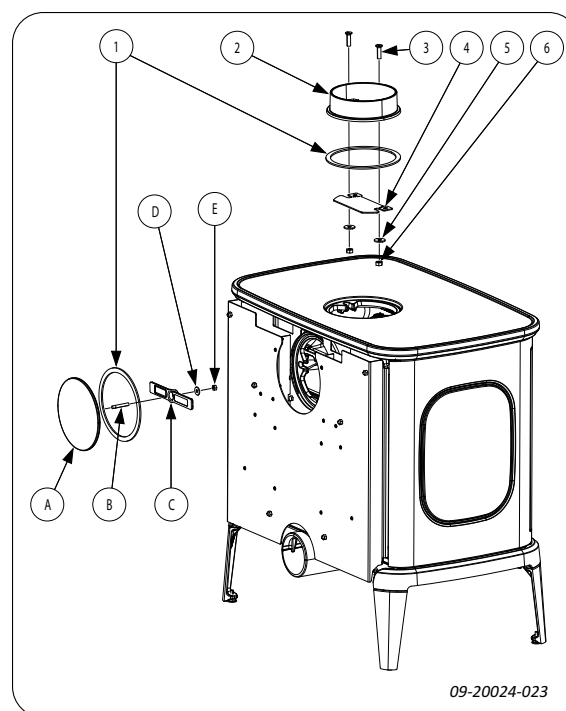
1. Remove the appliance from the pallet by removing the bolts (1).
2. Remove the mounting brackets (2) by turning the adjustable feet (3) out.
3. Reassemble the adjustable feet (3).

**i** Vermiculite inner plates are light and tend to be ochrous in colour on delivery. They insulate the combustion chamber to boost combustion.

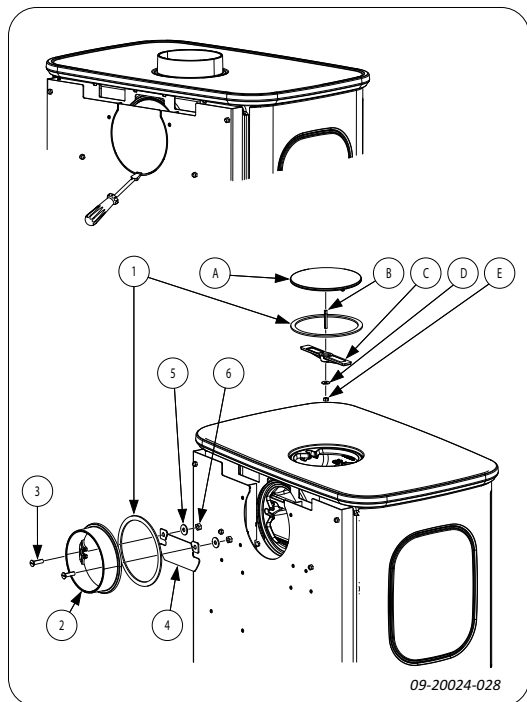
## Preparing the connection to the flue

When connecting the appliance to the flue you have the choice of connecting via either the top or the rear. See the paragraphs "Connecting to the rear" and "Connecting to the top".

### Connecting to the rear



1. Remove the connection collar (2) and baffle plate (4) from the top of the appliance.
2. Remove the cover (A) from the rear of the appliance after you have removed the rupture disc in the heat shield.



3. Fit the connection collar (2) and the baffle plate (4) to the back wall using the mounting materials supplied (3,5,6).
4. Fit the cover (A) to the top plate using mounting materials (B,C,D,E).
5. Ensure that the sealing material (1) is always correctly positioned.

### Connecting to the top

As standard, the appliance is delivered with the connection collar fitted for a connection at the top, see following figure.

On delivery, the connection at the rear is closed, so that a back cover does not need to be installed.

- ⚠ Because of the distance to the (combustible) wall, the protection plate may not be removed in the back shield.

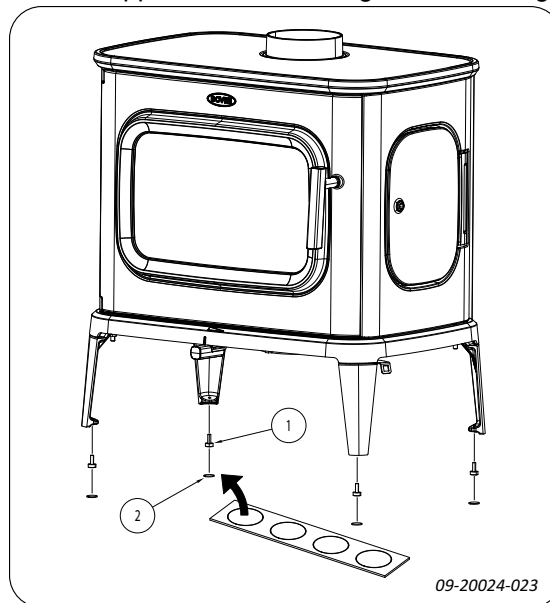
### Outside air connection

If the appliance is placed in a room with insufficient ventilation, you can connect the connection set to the appliance for the supply of outside air. The air intake pipe is 100 mm in diameter. If using a straight pipe, this pipe may be up to 12 metres long. When using attachments such as bends, reduce the maximum length (12 metres) by 1 metre per attachment. Make sure that you can shut off the combustion air

supply when not in use to prevent the influx of moist air.

## Installing and connecting

1. Position the appliance in the correct place, and make sure it is level. The appliance is designed with adjustable feet, which may already be mounted on the appliance or be included. Use these adjustable feet so that the appliance can be placed perfectly level. If the appliance is to be placed on a smooth floor, the four anti-slip pads can be placed beneath the adjustable feet to prevent the appliance from moving, see next image.



2. Connect the appliance to the flue hermetically.
3. Re-position all removed parts in the correct places in the appliance.

- ⚠ Never use the appliance without the fire-resistant inner plates.

The appliance is now ready for use.

## Use

### First use

When you use the appliance for the first time, make an intense fire and keep it going for a good few hours. This will cure the heat-resistant paint finish. This may result in some smoke and odours. You could open windows and doors for a while in the area in which the appliance is located.

## Fuel

This appliance is only suitable for burning natural wood, namely sawn and chopped wood that is sufficiently dry.

Do not use other fuels, as they can cause serious damage to the appliance.

The following fuels may not be used as they pollute the environment, and because they heavily pollute the appliance and flue, which may lead to a chimney fire:

- ▶ Treated wood, such as scrap wood, painted wood, impregnated wood, preserved wood, plywood and chipboard.
- ▶ Plastics, scrap paper and domestic waste.

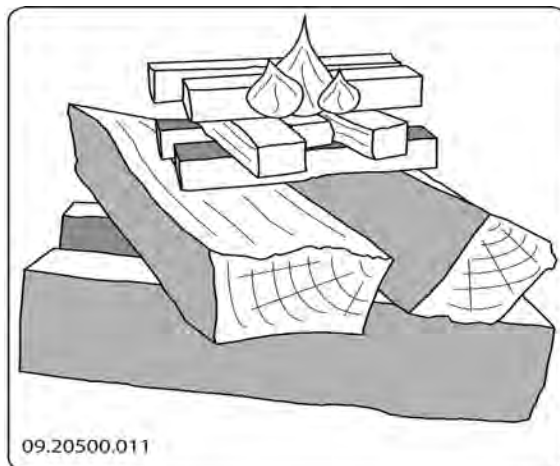
## Wood

- ▶ Hardwood, such as oak, beech, birch and fruit tree wood is the ideal fuel for your stove. This type of wood burns slowly with calm flames. Softwood contains more resins, burns faster and sparks more.
- ▶ Use seasoned wood that contains no more than 20% moisture. The wood should have been seasoned for at least 2 years.
- ▶ Saw the wood to size and split it while it is still fresh. Fresh wood is easier to split, and split wood dries more easily. Store the wood under a roof where the wind has free access.
- ▶ Do not use damp wood. Damp logs do not produce heat as all the energy is used in the evaporation of moisture. This will result in a lot of smoke and soot deposits on the appliance door and in the flue. The water vapour will condense in the appliance and can leak away through chinks in the stove, causing black stains on the floor. It may also condense in the chimney and form creosote. Creosote is a highly flammable compound and may cause a chimney fire.

## Lighting

You can check whether the flue has sufficient draught by lighting a ball of paper above the baffle plate. A cold flue often has insufficient draught and consequently, some smoke may escape into the room instead of up the chimney. You can avoid this problem by lighting the fire as described below.

1. Stack two layers of medium-sized logs next to each other on the fire compartment.
2. Stack two to three layers of kindling crosswise on top of the logs.
3. Place a firelighter between the bottom layer of kindling and light the firelighter according to the instructions on the packaging.



4. Close the appliance door and open the air slider (see 1 in the figure below) in the door completely (see drawing 2 in the figure below). A mark on the bottom plate indicates the ideal maximum position.
5. Allow the fire to develop into a good blaze until there is a glowing bed of charcoal. You can then add fuel and adjust the appliance; see the chapter 'Stoking with wood'.

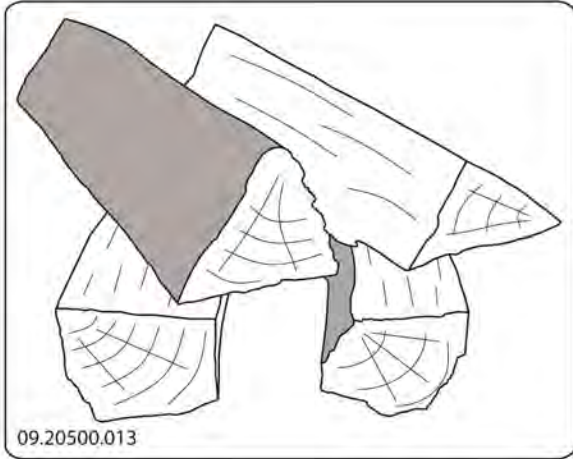


## Burning wood

After you have followed the instructions for lighting:

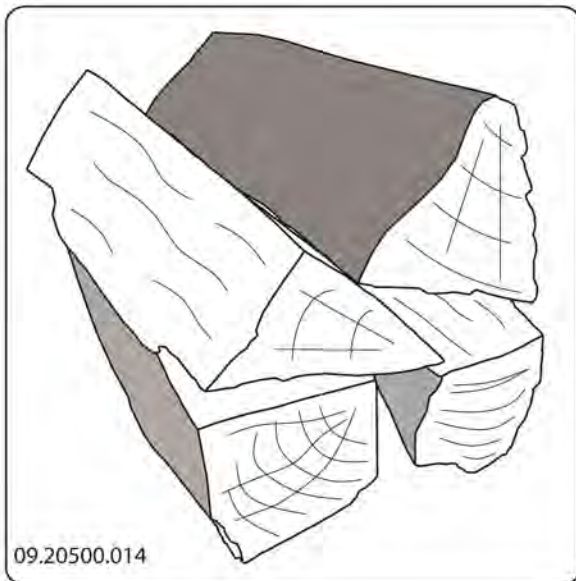
1. Slowly open the door of the appliance.
2. Spread the charcoal evenly across the bottom of the stove base.
3. Stack a few logs on the charcoal.

### Open stacking




If the logs are stacked openly, the wood will burn quickly as the oxygen can reach each log easily. If you want to use the stove for a short while, make an open stack.


### Compact stacking



If the logs are stacked tightly, the wood will burn more slowly as the oxygen can only reach some logs easily. If you want to burn wood for a longer period, make a compact stack.

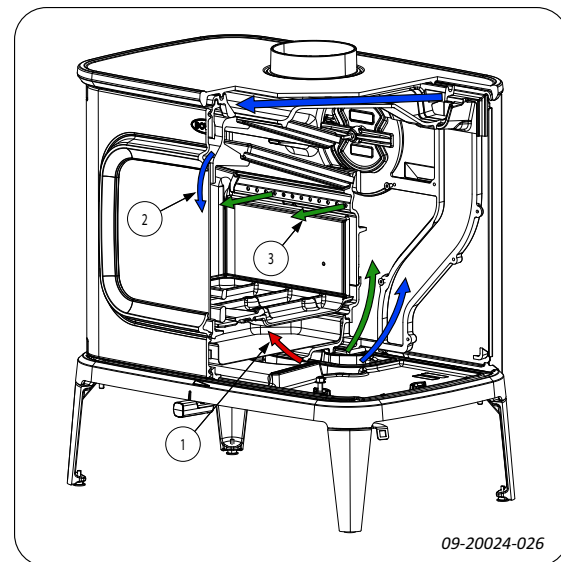
4. Close the door of the appliance.
5. Control the fire using the air slider under the door.

 Maximum amount of wood you can add for 45 minutes: 2,3 kg.

 Avoid excessive smoke development e.g. just after filling. Intense pressure waves/popping can occur when these gases are suddenly ignited. Set the air control to maximum position or leave the stove door open slightly for a while.



## Controlling combustion air

The appliance has various features for air control; see next figure.



The appliance has one air slide that regulates both the primary and the secondary air inlet. If the air slide is as far to the left as it will go, the primary and secondary air inlets are open. As the air slide is moved more to the right, this closes off the primary air inlet and then the secondary air inlet. If the air slide is slid as far to the right as it will go, a small air vent remains open to allow for post-combustion under the baffle plate.

### Advice

-  Never burn wood with an open door.
-  Regularly burn wood with intense roaring fires.

If you burn at a low setting frequently, tar and

creosote may be deposited in the flue. Tar and creosote are highly combustible substances. Thicker layers of these substances may catch fire if the temperature in the flue increases suddenly. By allowing the fire to burn very intensely regularly, layers of tar and creosote will disappear. Low-intensity fires can also cause tar deposits on the stove window and door. When the outside temperature is mild, it is better to burn wood intensely for a few hours instead of having a low-intensity fire for a long period of time.

- ▶ Control the air supply using the air vent.

**i** The air inlet not only supplies air to the fire but to the glass as well, so that it does not quickly become dirty.

- ▶ Open the primary air inlet for the time being if the air supply by the secondary air inlet is inadequate or if you want to fan the fire.
- ▶ Topping up with a few logs regularly is better than adding many logs in one go.

## Extinguishing the fire

Do not add fuel and just let the fire go out. If a fire is damped down by reducing the air supply, harmful substances will be released. For this reason, the fire should be allowed to go out naturally. Keep an eye on the fire until it has gone out. All air inlets can be closed once the fire has died completely.

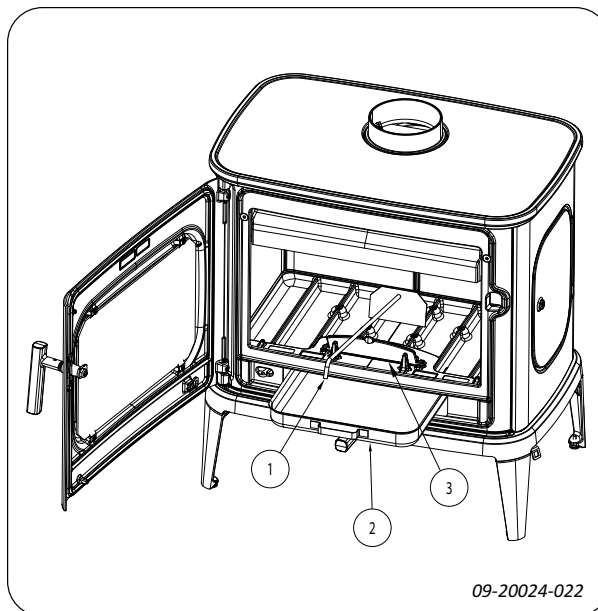
## Removing ash

After wood has been burnt, a relatively small amount of ash remains. This ash bed is a good insulating layer for the stove base plate and improves combustion. It is a good idea to leave a thin layer of ash on the stove base plate.

The flow of air through the fire plate must not be obstructed, however, and no ash may be allowed to accumulate behind an inner plate. Remove the excess ash regularly.

1. Open the door of the appliance.
2. Use the scraper (1) to open the ash removal port (3) in the bottom of the fire compartment: see the following figure.

3. Scrape the excess ash through the ash removal port into the ash pan (2) below it.
4. Close the ash removal port.
5. Using the glove supplied, remove the ash pan and empty it.
6. Replace the ash pan and close the door of the appliance.



## Fog and mist

Fog and mist hinder the flow of flue gases through the flue. Smoke can blow back and cause a stench. If it is not strictly necessary, it is better not to use the stove in foggy and misty weather.

## Resolving problems

Refer to the appendix 'Diagnostic diagram' to resolve any problems in using the appliance.

## Maintenance

Follow the maintenance instructions in this chapter to keep the appliance in good condition.

### Flue

In many countries, you are required by law to have your chimney checked and maintained.

- ▶ At the start of the heating season: have the chimney swept by a recognised chimney sweep.
- ▶ During the heating season and after the chimney has not been used for a long time: have the chimney checked for soot.

### Cleaning and other regular maintenance

- ⚠ Do not clean the appliance when it is still warm.
- ▶ Clean the exterior of the appliance with a dry lint-free cloth.

You can clean the appliance interior thoroughly at the end of the heating season:

- ▶ If necessary, first remove the inner plates.
- ▶ If necessary, clean the air supply ducts.

### Checking inner plates

The inner plates are consumables that are subject to wear and tear. Check the fire-resistant inner plates frequently and replace them when necessary.

- ▶ See the chapter 'Placing vermiculite stones into the appliance' for instructions on removing and installing inner plates.

- ⚠ Never use the appliance without the inner plates.

### Cleaning front glass

Dirt clings less easily to well-cleaned glass (front glass in the door). Proceed as follows:

1. Remove dust and loose soot with a dry cloth.
  2. Clean the glass with stove glass cleaner:
    - a. Apply stove glass cleaner to a kitchen sponge, rub down the entire glass surface and give the cleaning agent time to react.
    - b. Remove the dirt with a moist cloth or kitchen tissue.
  3. Clean the glass again with a normal glass cleaning product.
  4. Rub the glass clean with a dry cloth or kitchen tissue.
- ▶ Do not use abrasive or aggressive products to clean the glass.
  - ▶ Wear household gloves to protect your hands.
  - ⚠ If the glass in the appliance is broken or cracked, it must be replaced before the stove is used again.
  - ⚠ Ensure that no stove glass cleaner runs between the glass and the door.

### Stove maintenance

#### Lubrication

Although cast-iron is slightly self-lubricating, you will still need to lubricate moving parts frequently.

- ▶ Lubricate the moving parts (such as guide systems, hinge pins, latches and air slides) with heat-resistant grease that is available in the specialist trade.

#### Touching up damaged paint

Small areas of damaged paint finish can be touched up with a spray can of special heat-resistant paint, available from your supplier.

- ⚠ Ensure that the stove is not overloaded. If the stove is overloaded, the surface will become very hot, possibly resulting in lasting damage.

#### Checking the seal

- ▶ Check whether the door sealing rope is still in good condition and works well. The sealing rope is subject to wear and will need to be replaced over time.

- ▶ Check the appliance for air leaks. Close any chinks with stove sealant.

⚠ Allow the sealant to harden fully before lighting the appliance, as any moisture in the sealant will form bubbles, resulting in a new air leak.

## Placing and removing vermiculite stones in the appliance

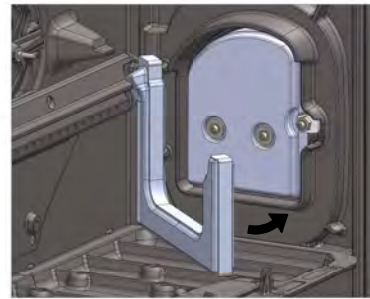
⚠ The numbers are on the back and are no longer visible once the vermiculite has been placed. Follow the steps below to place the vermiculite bricks in the appliance. You should remove the vermiculite bricks in reverse order.

Order of inserting vermiculite bricks:

---

Vermiculite bottom side wall R 03.77702.000

1.



09-20024-005

---

Vermiculite top side wall R 03.77711.000

2.

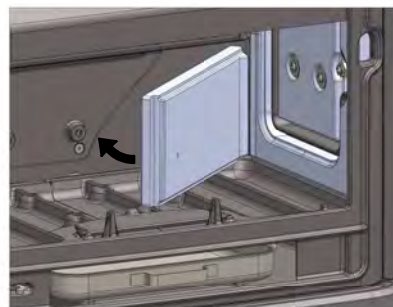


09-20024-006

---

Vermiculite back wall R 03.77700.000

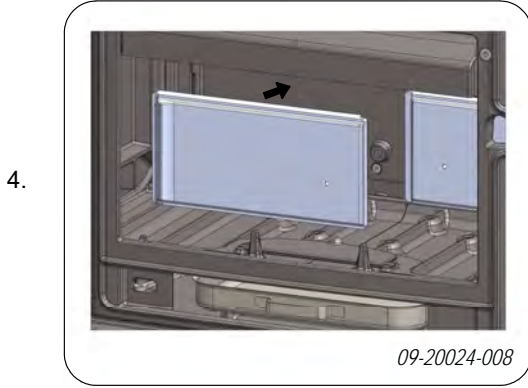
3.



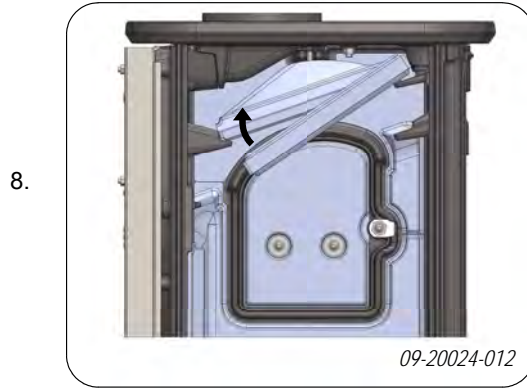
09-20024-007



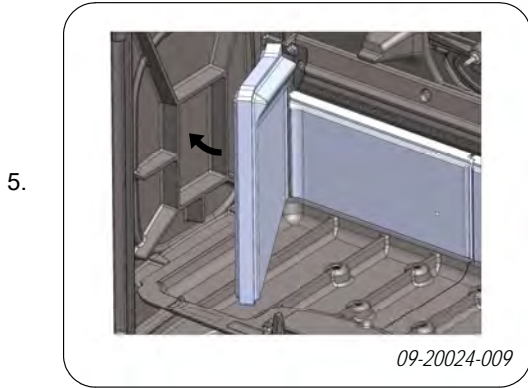
Vermiculite back wall L 03.77701.000



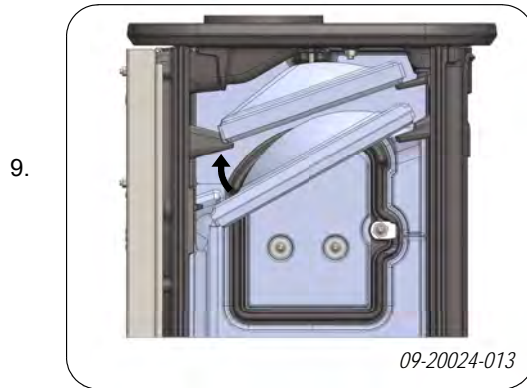
Vermiculite top Baffle plate L 03.77714.000



Vermiculite bottom side wall L 03.77703.000



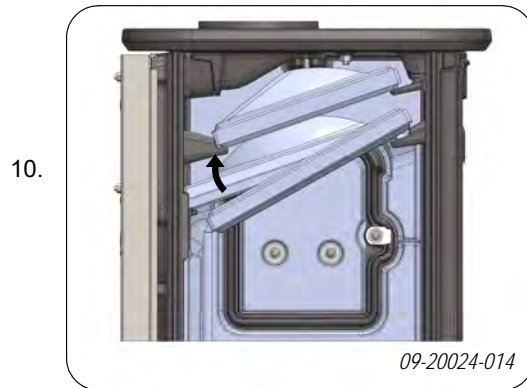
Vermiculite bottom Baffle plate R 03.77704.000



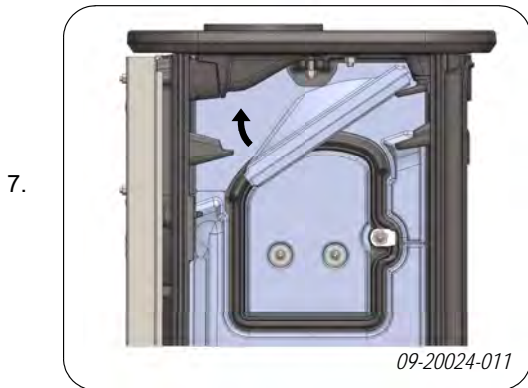
Vermiculite top side wall L 03.77712.000



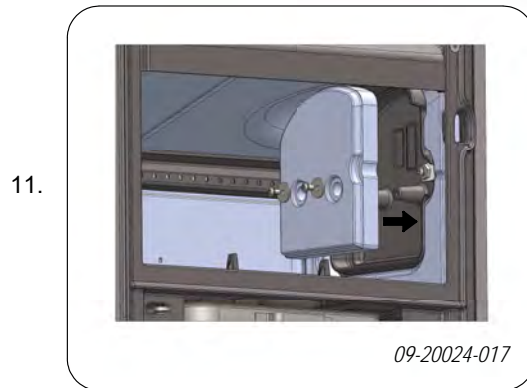
Vermiculite bottom Baffle plate L 03.77705.000




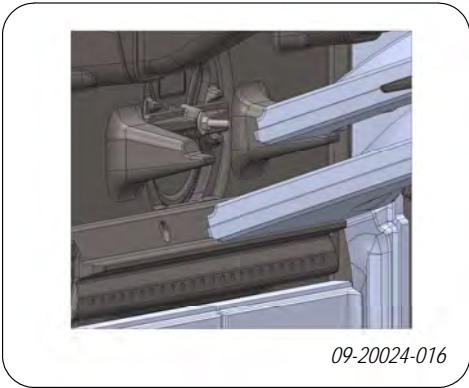
Vermiculite top Baffle plate R 03.77713.000



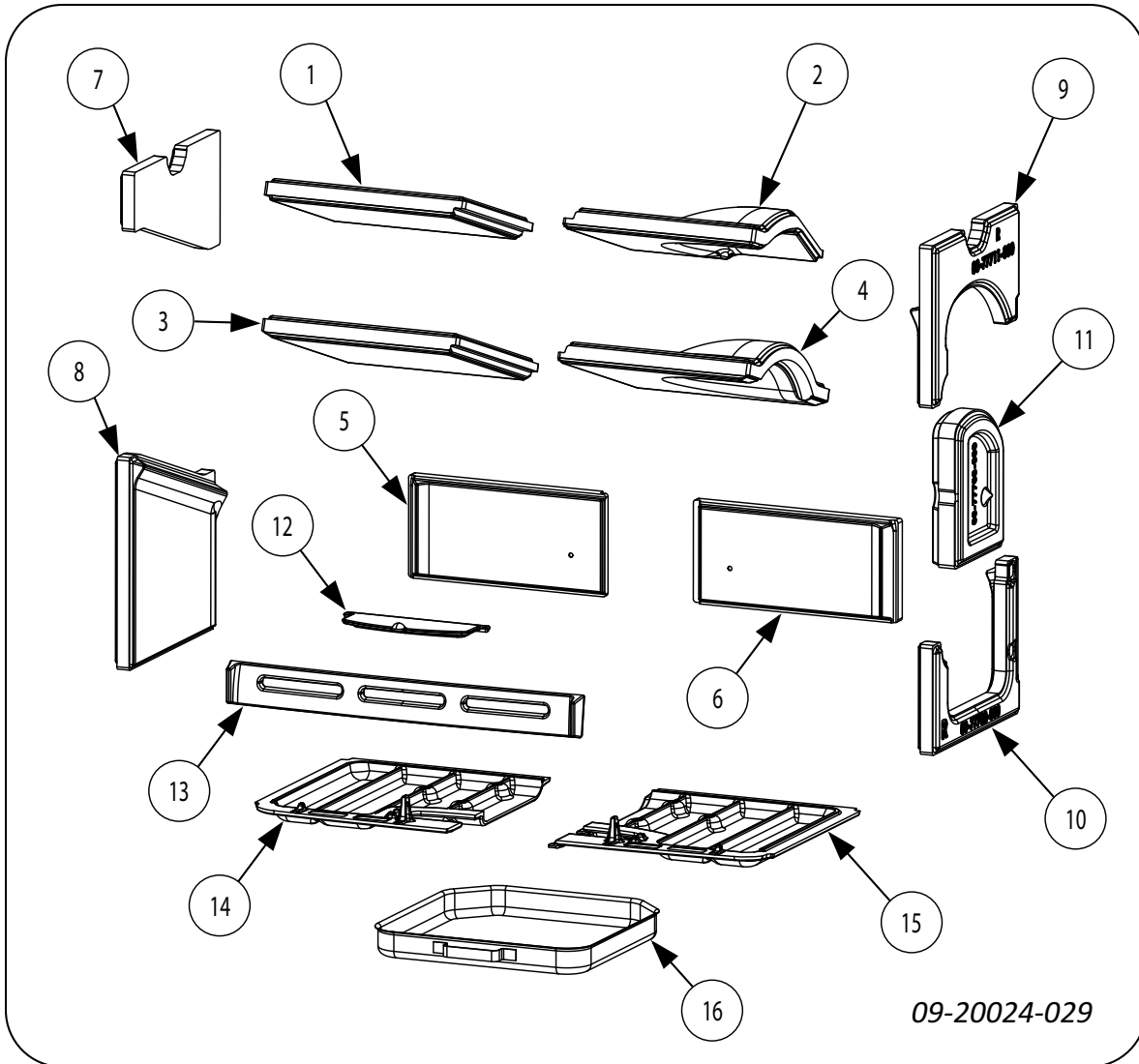
Vermiculite loading door 03.77708.000



 Ensure that the baffle plates stand on the correct support surfaces:



# Spare parts



09-20024-029

1.	03.77714	Vermiculite top left baffle plate	9.	03.77711	Vermiculite top right side wall
2.	03.77713	Vermiculite top right baffle plate	10.	03.77702	Vermiculite bottom right side wall
3.	03.77705	Vermiculite bottom left baffle plate	11.	03.77708	Vermiculite loading door
4.	03.77704	Vermiculite bottom right baffle plate	12.	03.05407	Ash tray door
5.	03.77701	Vermiculite left back wall	13.	03.77486	Fire basket
6.	03.77700	Vermiculite right back wall	14.	03.66592	Left-hand stove base
7.	03.77712	Vermiculite top left side wall	15.	03.66591	Right-hand stove base
8.	03.77703	Vermiculite bottom left side wall	16.	03.05215	Ash pan



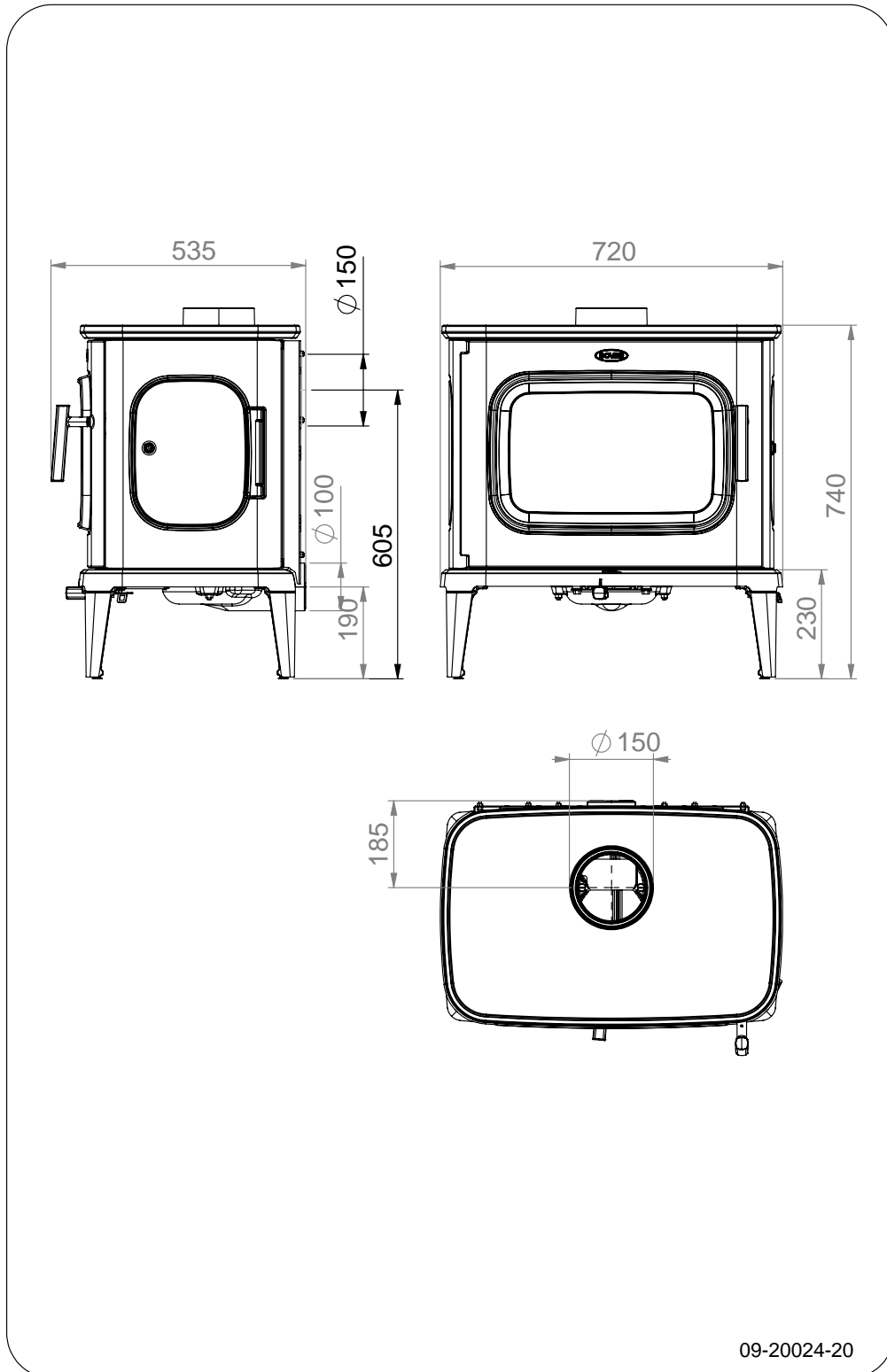
# Appendix 1: Technical data

Technical data according to EU 305/2011 (construction products); EU2015/1185 (ecodesign) and EU2015/1186 (labelling).

<b>Model</b>	<b>SAGA 301</b>
Nominal output/direct heat output	10 kW
Flue connection (diameter)	150 mm
Weight	200 kg
Recommended fuel	Wood, moisture <25%
Fuel property, max length	50 cm
Mass flow of flue gasses	9,66 g/s
Temperature increase measured in the measurement section	273 K
Temperature measured at appliance exit	354 °C
Minimum draught	12 Pa
CO emissions (13% O <sub>2</sub> at nominal heat output)	0,06 % (741 mg/Nm <sup>3</sup> )
NOx emissions (13% O <sub>2</sub> at nominal heat output)	113 mg/Nm <sup>3</sup>
CnHm emissions (13%O <sub>2</sub> ) at nominal heat output)	46 mg/Nm <sup>3</sup>
Particulate emissions (13% O <sub>2</sub> at nominal heat output)	22,5 mg/Nm <sup>3</sup>
Useful efficiency at nominal heat output	79 %
Seasonal energy efficiency	69%
Energy efficiency index	104.6
Energy efficiency category	A
Type of heat output/room temperature control	Single-phase heat output, no room temperature control

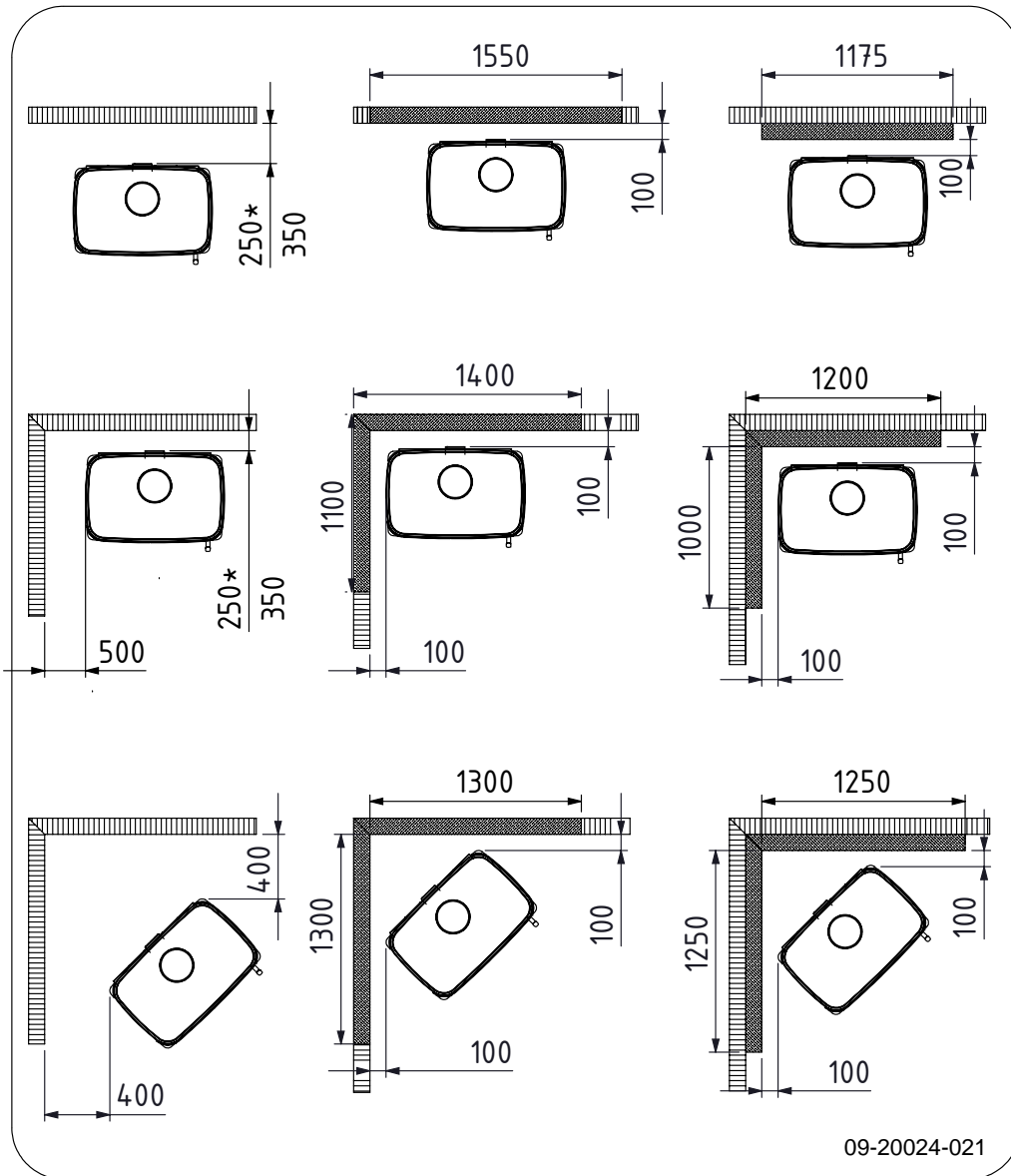
## Appendix 2: Dimensions



### SAGA 301



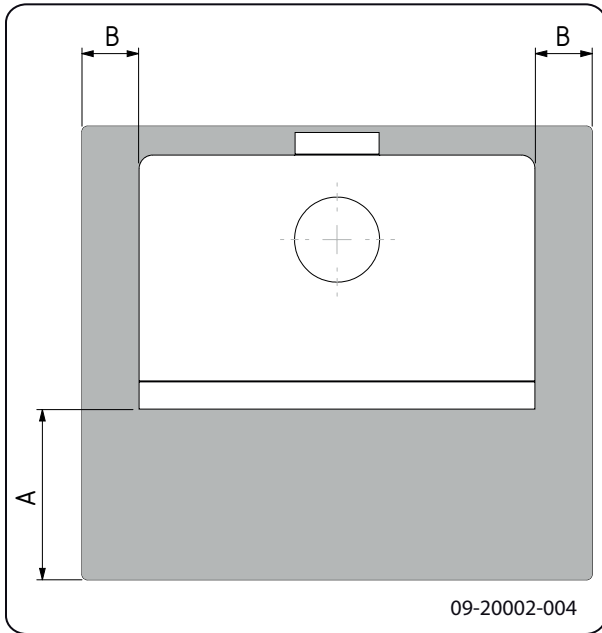
# Appendix 3: Distance from combustible material

## SAGA 301- Minimum distances in millimetres



*	Protected (insulated) connection pipe
	Combustible material
	Incombustible material, thickness 100 mm

## SAGA 301 - Dimensions of fireproof protective plate



### Minimum dimensions of fireproof floor plate

	A (mm)	B (mm)
Din 18891	500	300
Germany	500	300
Finland	400	100
Norway	300	100

## Appendix 4: Diagnosis diagram

					Problem	
●					Wood will not stay lit	
	●				Gives off insufficient heat	
		●			Smoke emissions into the room when adding wood	
			●		Fire in appliance is too intense, is hard to adjust	
				●	Deposit on the glass	
					possible cause	possible solution
●	●	●		●	Insufficient draught	A cold flue usually fails to create sufficient draught. Follow the instructions for starting a fire in the 'Use' section; open a window.
●	●	●		●	Wood too damp	Use wood with no more than 20% moisture.
●	●	●		●	Logs too large	Use small pieces of kindling. Use split logs no larger than 30 cm in circumference.
●	●	●	●	●	Wood stacked incorrectly	Stack the logs in a way that allows adequate air flow between the logs (open stacking, see 'Burning wood').
●	●	●		●	Flue does not work properly	Check whether the chimney meets the requirements: at least 4 metres high, correct diameter, well insulated, smooth inside, not too many bends, no obstructions in chimney (bird's nest, too much soot deposit), hermetically tight (no chinks).
●	●	●		●	Chimney stack incorrect	Sufficiently high above the roof, no obstacles in the vicinity
●	●	●	●	●	Air inlets set incorrectly	Open the air inlets completely.
●	●	●		●	Appliance connected to the chimney incorrectly	Connection should be hermetically tight.
●	●	●		●	Vacuum in area in which the appliance is installed	Switch off extraction systems.
●	●	●		●	Insufficient supply of fresh air	Provide an adequate air supply; if necessary, use outside air connection.
●	●	●		●	Bad weather? Inversion (reversed air flow in chimney because of a high outside temperature), extreme wind speeds	We recommend you don't use the appliance in the case of inversion. If required, install an extra hood on the flue to increase the draught.
		●			Draught in the living room	Avoid draught in the living room, do not place the appliance near a door or heating air ducts.
				●	Flames touch the glass	Make sure the wood is not positioned too close to the glass. Slide the primary air inlet cover closer to the 'Closed' position.
			●		Appliance is leaking air	Check the door seals and appliance joints.



# Index

<b>A</b>		Draught ..... 20	
Adding fuel		Drying wood ..... 12	
smoking appliance ..... 24		<b>E</b>	
Adverse weather conditions, do not burn wood 14		Efficiency ..... 5, 20	
Aerating the fire ..... 14		Enamel	
Air combustion control ..... 13		maintenance ..... 15	
Air control ..... 13		External air supply	
Air leak ..... 15		connecting to ..... 11	
Ash		Extinguishing the fire ..... 14	
removing ..... 14		<b>F</b>	
Ash removal ..... 14		Filling level of the appliance ..... 13	
<b>B</b>		Finishing coat, maintenance ..... 15	
Bearing capacity of floor ..... 9		Fire	
Burning		extinguishing ..... 14	
adding fuel ..... 12		kindle ..... 12	
appliance is hard to adjust ..... 24		Fire-resistant inner plates	
fire is too intense ..... 24		warning ..... 11	
insufficient heat ..... 24		Fire safety	
topping up fuel ..... 14		distance from combustible material ..... 22	
Burning wood		floor ..... 9	
insufficient heat ..... 14		furniture ..... 9	
<b>C</b>		walls ..... 9	
Cap on the flue ..... 8		Floors	
Carpet ..... 9		bearing capacity ..... 9	
Chinks in appliance ..... 15		fire safety ..... 9	
Cleaning		Flue	
appliance ..... 15		connecting to ..... 11	
glass ..... 15		connection diameter ..... 20	
Combustible material		height ..... 8	
distance from ..... 22		maintenance ..... 15	
Connecting		requirements ..... 8	
dimensions ..... 21		Flue cap ..... 8	
rear ..... 10-11		Flue gas	
top ..... 11		temperature ..... 5	
Controlling air supply ..... 14		Flue gasses	
Creosote ..... 13		mass flow ..... 20	
<b>D</b>		Fog, do not burn wood ..... 14	
Damp wood ..... 12		Fuel	
Dimensions ..... 21		adding ..... 13	
Door		necessary amount ..... 14	
sealing rope ..... 15		suitable ..... 12	
		topping up ..... 14	
		unsuitable ..... 12	
		wood ..... 12	

<b>G</b>	
Glass	
cleaning .....	15
deposit .....	24

<b>H</b>	
Heat, insufficient .....	14, 24

<b>I</b>	
Inner plate	
vermiculite .....	10
Inner plates	
maintenance .....	15
warning .....	11
Installing	
dimensions .....	21

<b>K</b>	
Kindling .....	24

<b>L</b>	
Lighting .....	12
Lighting fire .....	12
Lubricant .....	15
Lubricate .....	15

<b>M</b>	
Maintenance	
Clean appliance .....	15
cleaning the glass .....	15
enamel .....	15
flue .....	15
inner plates .....	15
lubrication .....	15
sealing .....	15
Mist, do not burn wood .....	14

<b>N</b>	
Nominal output .....	14, 20

<b>P</b>	
Paint .....	11
Particulate emission .....	20
Preventing chimney fire .....	13

<b>R</b>	
Removing ash .....	14

<b>S</b>	
Screens	
deposit .....	24
Sealing rope for door .....	15
Smoke	
during first use .....	11
Smoke emissions into the room .....	8
Smoking appliance .....	24
Softwood .....	12
Solving problems .....	14, 24
Spare parts .....	19
Stacking logs .....	13
Storing wood .....	12
Stove glass cleaner .....	15
Suitable fuel .....	12
Sweeping flue .....	15

<b>T</b>	
Tar .....	13
Temperature .....	20
Temperature increase	
measurement section .....	20
Topping up with fuel .....	14

<b>U</b>	
Unsuitable fuel .....	12

<b>V</b>	
Ventilation .....	9
rule of thumb .....	9
Ventilation louvre .....	9
Vermiculite	
fire-resistant .....	10

<b>W</b>	
Walls	
fire safety .....	9
Warning	
chimney fire .....	12-13
chimney fires .....	6
fire-resistant inner plates .....	11
flammable materials .....	6
glass broken or cracked .....	6, 15
hot surface .....	6
inner plates .....	11
placing a load on door .....	6

---

requirements .....	6
stove glass cleaner .....	15
terms and conditions for insurance .....	8
ventilation .....	6, 9
Weight .....	20
Wood .....	12
damp .....	12
drying .....	12
right sort .....	12
storing .....	12
will not stay lit .....	24