

# EN –User manual

Holographic ambient fireplaces

## Preface

Dear customer,

Thank you for choosing Kalfire!  
Kalfire designs and crafts fireplaces with the aim of bringing people together through sustainable fire. We hope this product will meet these two objectives in your home.

We thank you for your trust in Kalfire and wish you many enjoyable evenings with friends and family.

Beijko van Melick  
Managing Director Kalfire BV

## Table of contents

<b>Preface</b>	<b>34</b>
<b>1 Introduction</b>	<b>35</b>
1.1 CE declaration	35
<b>2 General safety regulations</b>	<b>35</b>
2.1 Additional general safety regulations for the Atmos Heating option	36
<b>3 Guarantee</b>	<b>36</b>
<b>4 Existing electrical installation</b>	<b>36</b>
<b>5 Operation Kalfire E-one</b>	<b>37</b>
5.1 E-one remote and symbols	37
5.2 Bluetooth pairing E-one remote	37
5.3 Control	37
5.4 Kalfire Connected App	40
5.5 Main switch	40
<b>6 Maintenance</b>	<b>41</b>
<b>7 Troubleshooting</b>	<b>41</b>
7.1 Replacing batteries	42
<b>8 Technical data</b>	<b>42</b>
8.1 Disassembly and disposal	42
<b>9 Declaration of Conformity</b>	<b>43</b>

## 1 Introduction

Kalfire prioritizes innovation and quality and is continuously working to further develop our products. We reserve the right to make changes to the form, technology and design of the products we sell. As such, the information and figures in this manual may change, and no claims can be made on their basis.

This manual is protected by copyright. All rights are reserved, including the right to copy, translate or distribute the content it contains.

The fireplace may only be installed by a qualified installer, in accordance with national or local regulations.

### 1.1 CE declaration

The E-one complies with the following CE standards: RED Directive:

	2014/53/EU
Safety:	IEC 62368-1
	EN 60335-1
	EN 60335-2-30
Health:	EN 62311
EMC:	EN 55032
	EN 301 489-1
	EN 61000-3
Radio:	EN 300 328
	EN 300 220-2
	EN 301 893

## 2 General safety regulations

When using electrical appliances, necessary precautions must always be taken to reduce and/or prevent the risk of fire, electric shock or personal injury.

- Ensure you read the general safety regulations.
- Leave maintenance and repairs to a qualified service provider to avoid the danger of electrocution.
- Caution: to reduce the risk of electric shock, do not remove the ember bed.
- None of the unit's parts can be serviced by the user; however, the glass reflector inside the fireplace and the front glass panel can be cleaned as

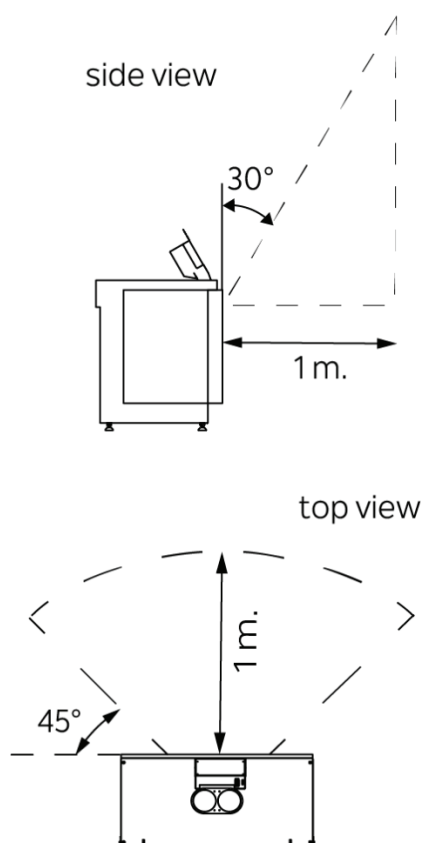
well as the dust-free cleaning of the combustion chamber.

- Do not use the fireplace outdoors.
- To use the fire, the ambient temperature of the room in which it is installed must be between 5 and 30°C.
- Do not use the fireplace in the immediate vicinity of a bath, shower or swimming pool. The relative humidity must be below 85%.
- Use is permitted up to 2000 m above sea level.
- Do not place the fireplace directly under a wall socket or junction box.
- If a malfunction occurs, set the main switch on the front panel to 0 (off). (See section 5.5.)
- Do not place the unit on carpet or rugs.
- To prevent overheating of the fireplace, it must not be covered. Do not place any material in front of or against the unit and never obstruct the air circulation around the unit. When materials overheat, there is a risk of fire.
- The fireplace may be operated by those age 8 or over, or those with reduced physical, sensory or mental abilities provided they have demonstrated an understanding of the instructions relating to the safe use of the fireplace and the potential dangers. Children should not be allowed to play with the fireplace and must not clean the fireplace or perform user maintenance without parental supervision.
- Children under the age of 3 should not be allowed near the fire without adult supervision. Children from age 3 to 7 may only switch the fireplace on/off provided that it is installed in its normal position of operation and they have been given instructions on how to use it safely and understand its potential dangers. Children under the age of 8 must not clean the fireplace or perform user maintenance.

- If the power lead becomes damaged,
- it must be replaced by the supplier or another qualified service provider to avoid risks.

## 2.1 Additional general safety regulations for the Atmos Heating option

- The fireplace does not have an automatic temperature regulator. If the fireplace is installed in a small room, each person present in the room must be able to leave the room independently. Any person who is not able to do so must be continually supervised.
- Some parts of the unit can become very hot and could potentially cause burns. Always supervise children and vulnerable people around the fireplace.
- Furniture, curtains and other combustible materials must be placed at least one metre away from the fireplace. For safe distances, see the diagrams below.



## 3 Guarantee

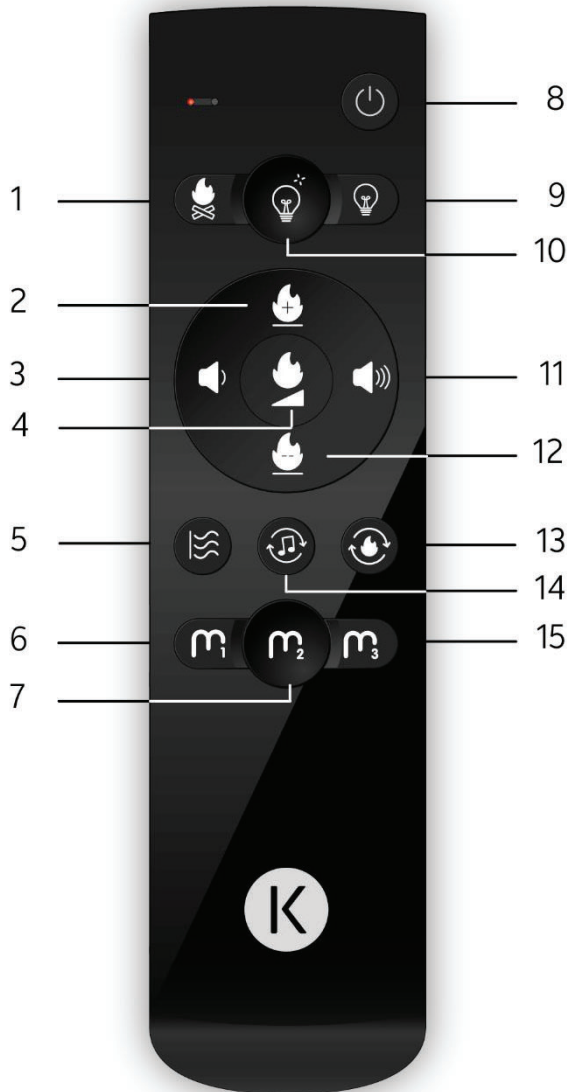
Kalfire prioritizes craftsmanship. The Kalfire E-one has been fully designed and developed in the Netherlands, and is equally produced entirely on Dutch soil. We stand behind the quality of our products, offering a warranty period on our electric fire of five years or up to 10,000 burning hours. The Atmos Heating function of the fireplace is guaranteed under a two-year warranty.

## 4 Existing electrical installation

The unit must be connected to a 230V AC/50Hz 13 A earthed mains socket..

## 5 Operation Kalfire E-one

### 5.1 E-one remote and symbols





1. Hybrid LED E (Lower ember bed intensity)  
Dim Atmos Lighting
2. Increase flame height
3. Lower volume of Kalfire Sound
4. Adjust flame intensity
5. Atmos Heating (2 levels)
6. Mood 1
7. Mood 2
8. Power on/off
9. Atmos Lighting
10. Dynamic Atmos Lighting
11. Raise volume of Kalfire Sound
12. Decrease flame height

13. Adjust flame type
14. Adjust sound type
15. Mood 3

### 5.2 Bluetooth pairing E-one remote

When the fireplace is used for the first time, the remote control will connect to it automatically. If the following symbol is projected on the rear screen of the fireplace, the remote control must be paired manually.



Manual pairing is done by pressing the  and  buttons on the remote control at same time.

Release the buttons when a red LED light flashes in the top-left corner of the remote control. You will know when the remote control is successfully paired with the E-one when the Bluetooth symbol is no longer visible.

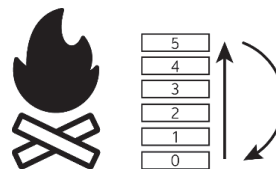
### 5.3 Control



#### Switching the fireplace on

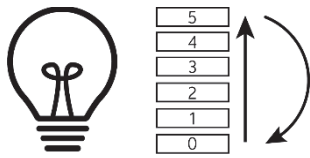
Briefly press the on/off button. It takes about 30 seconds for the fireplace to fully start up.

#### Hybrid LED E intensity (No. 1)



Set the intensity of the ember bed beneath the logs. Depending on ambient light and personal preference, you can choose a low or higher intensity. With each press of the button, a higher level is activated. After reaching the highest level (level 5), the cycle restarts with level 0. At level 0, the ember bed is turned off. Level 1 is then the level with the lowest possible light intensity.

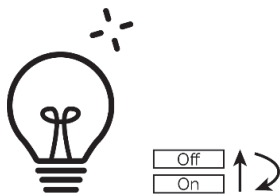
### Atmos Lighting (No. 9)



Atmos Lighting projects light and shadow effects onto the logs from the ceiling of the fireplace. This allows the logs in the fireplace to be highlighted to a greater or lesser extent. The light intensity is adjustable from level 1 to level 5. With each press of the button, a higher level is activated. After reaching level 5, the cycle restarts with level 0. At level 0, Atmos Lighting is turned off.

Combine this function with Dynamic Atmos Lighting (No. 10)."

### Dynamic Atmos Lighting (No. 10)



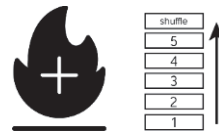
With the help of this function, a flicker effect is added to the Atmos Lighting (No. 9). Therefore, first choose the desired light intensity using button 9 and activate or deactivate the flicker effect using this function.

### Adjust flame type (No. 13)

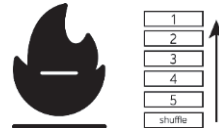


Choose one of the three different flame images: dynamic wood fire (A), gas fire with bright, light flame color (B), or gas fire with warm, dark flame color (C). With each press of the button, the next flame image is activated. After flame image C, the cycle restarts with flame image A

### Increase flame height (No. 2)



### Decrease flame height (No. 12)



### Adjustable Flame Height (No. 2 and No. 12)

For flame images B and C (No. 13), the flame height is adjustable from level 1 to level 5, and level 6 is the shuffle mode. Increase the flame height using button 2. Prefer lower flames? Use button 12. For flame image A, the flame height cannot be adjusted.

In the shuffle mode (level 6), dynamic flames are displayed. The shuffle symbol is projected onto the screen in the fireplace.



### Fire Intensity (No. 4)



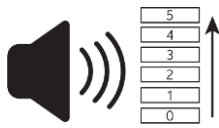
With the Fire Intensity function, you can adjust the intensity of the flames. The intensity is adjustable from level 1 to level 5. With each press of the button, the flames become more intense. After reaching level 5, the cycle restarts with level 1.

### Kalfire Sound (No. 14)



Choose between the sound of crackling pinewood (Pinewood sound) or the more tranquil beechwood (Beechwood sound). With each press of the button, alternately select Sound A or B. Use buttons 3 and 11 to adjust the volume louder or softer.

### Raise volume of Kalfire Sound (No.11)

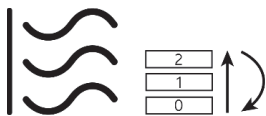


### Lower volume of Kalfire Sound (No. 3)



The volume of both Sound A and Sound B (No. 14) is adjustable from level 1 to level 5. With each press of the button, the volume increases (No. 11) or decreases (No. 3). At level 0, Kalfire Sound is turned off.

### Atmos Heating (No. 5)



The specially developed Atmos Heating element provides a pleasant atmospheric warmth that enhances the overall fire experience. Adjustable in two settings. Optionally available.

### Moods

The flame image and heat output (when opting for the Atmos Heating option) of the Kalfire E-one can be tailored to your individual needs, preferences, and circumstances. Kalfire has pre-set and recorded 3 Moods under the respective Mood buttons.

You activate the corresponding moods by pressing the button for the respective Mood.



Funcie	Mood 1	Mood 2	Mood 3
Atmos_heating	On - 1	Off	Off
Atmos_lighting	3	2	4
Dynamische Atmos lighting	On	Off	Off
Hybride-LED (ember bed)	2	2	4
Dynamisch gloedbed	On	Off	Off
Flame image	A	C	B
Flame height	1	2	4
Fire intensity	1	2	4
Sound	A	Off	B
Sound volume	3	Off	5

### Anti-Reflect function (No. 8 en No. 9)

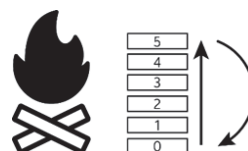


The anti-reflect function provides an attractive view of the logs and hearth when the fire is not burning.

To switch to this mode directly from a burning fire, briefly press the on/off button and wait until the fire is out. You can ignore any message displayed. Use the Atmos Lighting + and - buttons to adjust the light intensity.

To activate the anti-reflect function when the fire is off, press and hold the on/off button for 3 seconds, then use the Atmos Lighting + and - buttons to adjust the light intensity.

### Atmospheric Ember Bed (No. 1)



If the fireplace is completely turned off, the ember bed can be activated separately. With the Hybrid-LED Intensity button (No. 1), you can turn on the ember bed and adjust the intensity. No flames are visible.

If only the ember bed is activated, you can turn on the fireplace by briefly pressing the on/off button.

### Full shutdown



Press the on/off button for approximately 3 seconds to completely turn off the fireplace. It takes about 30 seconds.

## 5.4 Kalfire Connected App

The Kalfire Connected app offers more and extended possibilities compared to the remote control.

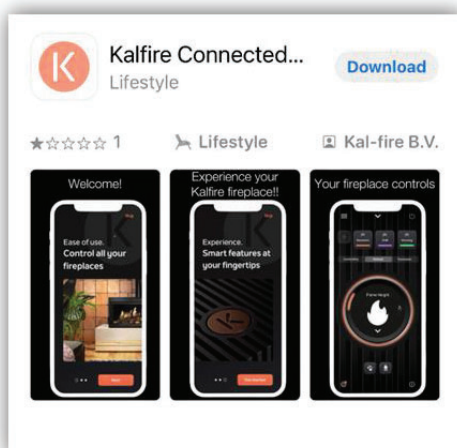
### 5.4.1 Installing the Kalfire Connected App

Before installing the Kalfire Connected app, please check:

- If you are on the same Wi-Fi network as the fireplace (The app should be connected to the fireplace via a 2.4GHz Wi-Fi network).
- If your Bluetooth is turned on.
- Download the Kalfire Connected app from the Apple App Store or the Google Play Store. Search for: Kalfire Connected App.



- Install the app



- Download the app and follow the on-screen instructions
- Create an account

Creating an account grants access to all functionalities of the fireplace that can be controlled through the KalfireConnected app.

Once the one-time registration steps are completed, the KalfireConnected App can be used.

### 5.4.2 Additional features compared to the remote control

#### Dynamic Ember Bed



First, set the desired intensity of the ember bed using the Hybrid LED function (No. 1), and add a flicker effect to it with this function, even when the flames are turned off.

#### Moods

Through the app, a combination of preferred settings can be customized and programmed to personal taste. There are 10 Moods available for this purpose. Each mood can have its own name and color assigned.

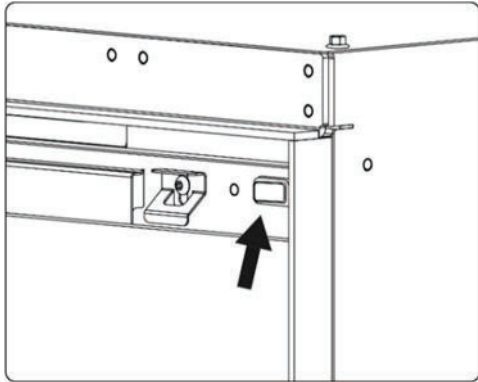
The three pre-programmed moods by Kalfire can be overwritten or moved to a different position. Place your most favorite Mood at 1! Afterward, a single press of the button on the remote control or app is sufficient to activate the desired mood.

## 5.5 Main switch

Power to the fireplace can be switched off using the power switch (0 = off / 1 = on) on the front. The switch is located at the top right of the unit, behind the metal flap (see figure), and can be accessed by lifting up the flap. Note that if the unit is completely disconnected from the mains, the unit will reset to the factory settings.



**Please note:** After switching the fire on again with the main power switch, the complete start-up cycle of the Kalfire E-one takes about 4 minutes.



**Important:** If you do not intend to use the unit for a long period, we advise you to switch it off completely by setting the power button to the 0 position.

## 6 Maintenance

### Black lacquered surfaces

Use a microfibre or other soft cloth to clean the black powder-coated parts of the fireplace. The use of sandpaper, steel wool, brushes or scouring pads should be avoided as these will scratch the finish. The glass reflector placed at an angle in the fireplace must be treated with care.

### Glass reflector

The glass reflector placed at an angle in the fireplace must be treated with care.

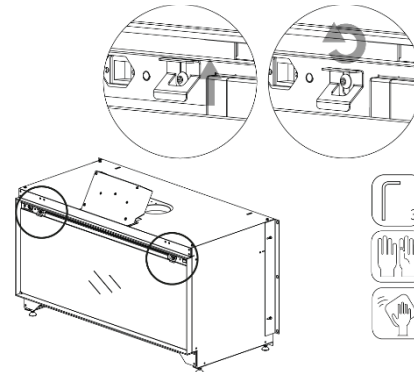
Instructions for cleaning the glass reflector:

- Clean the glass only with water: cleaning products are not recommended.
- Dust or dry the glass with a clean microfibre cloth.
- Always dry the glass completely: water residues are difficult to remove.

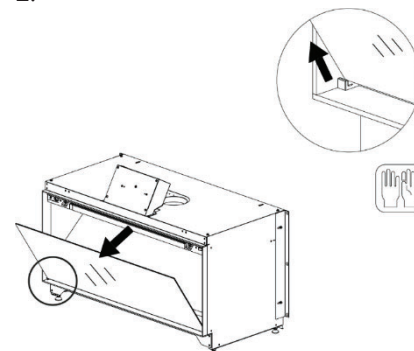
Do not use cleaning products, abrasives, cerium oxide, etc. to clean the glass reflector, and never use hard materials such as steel wool, razor blades, etc. on the glass.

To clean the glass reflector, first remove the front glass panel from the fireplace, following the steps shown in figures 1 to 3.

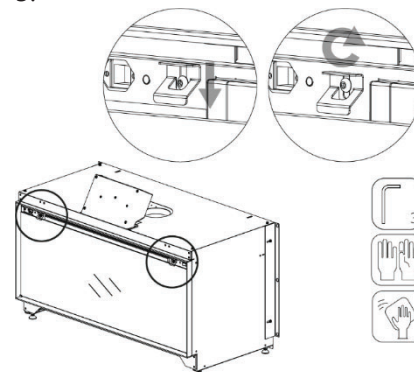
1.



2.



3.



## 7 Troubleshooting

In the event of a fault, first check the points below. If the problem persists, contact your dealer or installer.

### The fire does not start.

- Check that the main switch at the top right of the appliance is switched on. (See section 5.5.)



**The remote control is not responding: the Bluetooth symbol is visible in the fireplace.**

This indicates that there is no connection between the remote control and the fireplace.

- Pair the remote control with the fireplace. (See section 5.2.)

**The remote control is not responding: the red light at the top left of the remote control is not lit.**

- Replace the batteries of the remote control.
- The remote control is broken and needs to be replaced.

**7.1 Replacing batteries**

If the red LED light in the upper right corner of the remote control no longer illuminates when you press any of the buttons, the battery needs to be replaced. Replace the battery in the remote control as follows:

- Grasp the remote control on-the-head and turn it over.
- Place your thumb as shown below.
- Press the back lightly with your thumb and slide the cover upwards at the same time.



- Replace the battery into the remote control (1 x AAA)
- Replace the cover in reverse order.

**8 Technical data**

**KALFIRE**  
FIREPLACES



Models: Kalfire E-one 100F / 100F FR / 100S  
130F / 130C / 130S  
160F / 160S  
190F / 190S  
Input: 220 - 240 ~ 50Hz  
Power: 2100 Watt

SN:



**WARNING: Do not cover heater!**



**WARNING: Hazardous voltage inside**

Only authorized personnel may service this equipment

Energy consumption per operating mode Kalfire E-one 100/130	
standby mode (W)	9,6
standby mode, incl. anti-reflect function (W)	17
full operating mode*, excl. Atmos Heating (W)	64
full operating mode*, incl. Atmos Heating – level 1 (W)	1066
full operating mode*, incl. Atmos Heating – level 2 (W)	2066

Energy consumption per operating mode Kalfire E-one 160/190	
standby mode (W)	11
standby mode, incl. anti-reflect function (W)	22,6
full operating mode*, excl. Atmos Heating (W)	116
full operating mode*, incl. Atmos Heating – level 1 (W)	1115
full operating mode*, incl. Atmos Heating – level 2 (W)	2115

*\*\*full operating mode: Dual HD Flame technology, Atmos lighting max. hybrid LED E max, Kalfire Sound volume max.*

**8.1 Disassembly and disposal**

Dismantle the device at the end of its service life according to local laws and regulations.



Remove the battery from the remote control. Return used batteries to a disposal point.

## 9 Declaration of Conformity

Manufacturer: Kalfire B.V.  
Geloërveldweg 21  
NL – 5951 DH, Belfeld

Trade Mark: Kalfire

The manufacturer hereby declares that the following electric fireplaces:

Model: Kalfire E-one  
Type/ Serial number: 100F / 100F *FR* / 100S  
130F / 130C / 130S  
160F / 160S  
190F / 190S

are manufactured in accordance with the following European directives and standards:

RED directive: 2014/53/EU  
Safety: IEC 62368-1  
EN 60335-1  
EN 60335-2-30  
Health: EN 62311  
EMC: EN 55032  
EN 301 489-1  
EN 61000-3  
Radio: EN 300 328  
EN 300 220-2  
EN 301 893

The declaration is only valid, if the installation of the product is carried out according to the instructions delivered with the product and in accordance with the local legislation.

1 October 2023



Beijko van Melick  
Managing Director Kalfire BV

**KALFIRE**  
FIREPLACES

CONNECTING  
PEOPLE  
THROUGH  
SUSTAINABLE  
FIRE.

Geloërveldweg 21 - 5951 DH Belfeld  
**info@kalfire.com** - [www.kalfire.com](http://www.kalfire.com)

10-2023 NL/FR/DE/EN V01